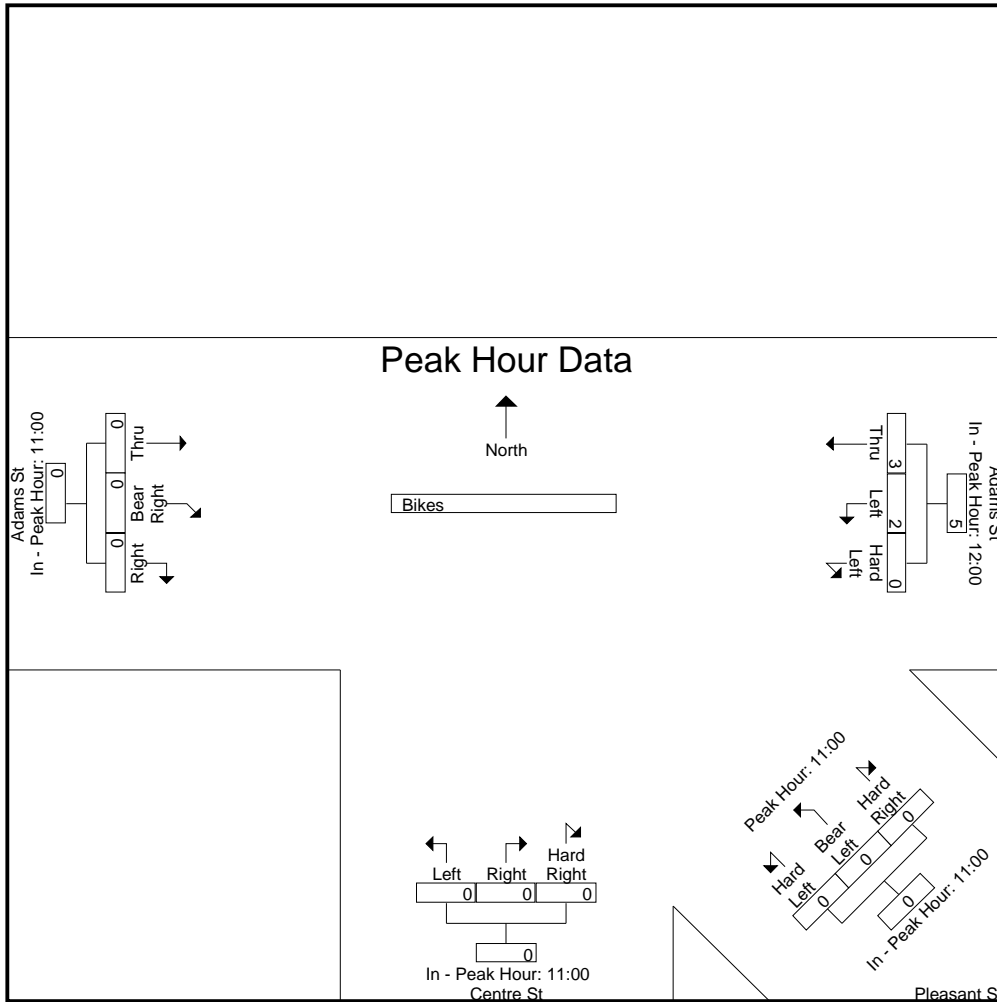


Peak Hour Analysis From 11:00 to 13:45 - Peak 1 of 1
Peak Hour for Each Approach Begins at:

	12:00				11:00				11:00				11:00			
+0 mins.	0	0	0	0	0	0	0	0	0	0	0	0	0	0	0	0
+15 mins.	0	0	0	0	0	0	0	0	0	0	0	0	0	0	0	0
+30 mins.	0	1	3	4	0	0	0	0	0	0	0	0	0	0	0	0
+45 mins.	0	1	0	1	0	0	0	0	0	0	0	0	0	0	0	0
Total Volume	0	2	3	5	0	0	0	0	0	0	0	0	0	0	0	0
% App. Total	0	40	60		0	0	0		0	0	0		0	0	0	
PHF	.000	.500	.250	.313	.000	.000	.000	.000	.000	.000	.000	.000	.000	.000	.000	.000



Accurate Counts

978-664-2565

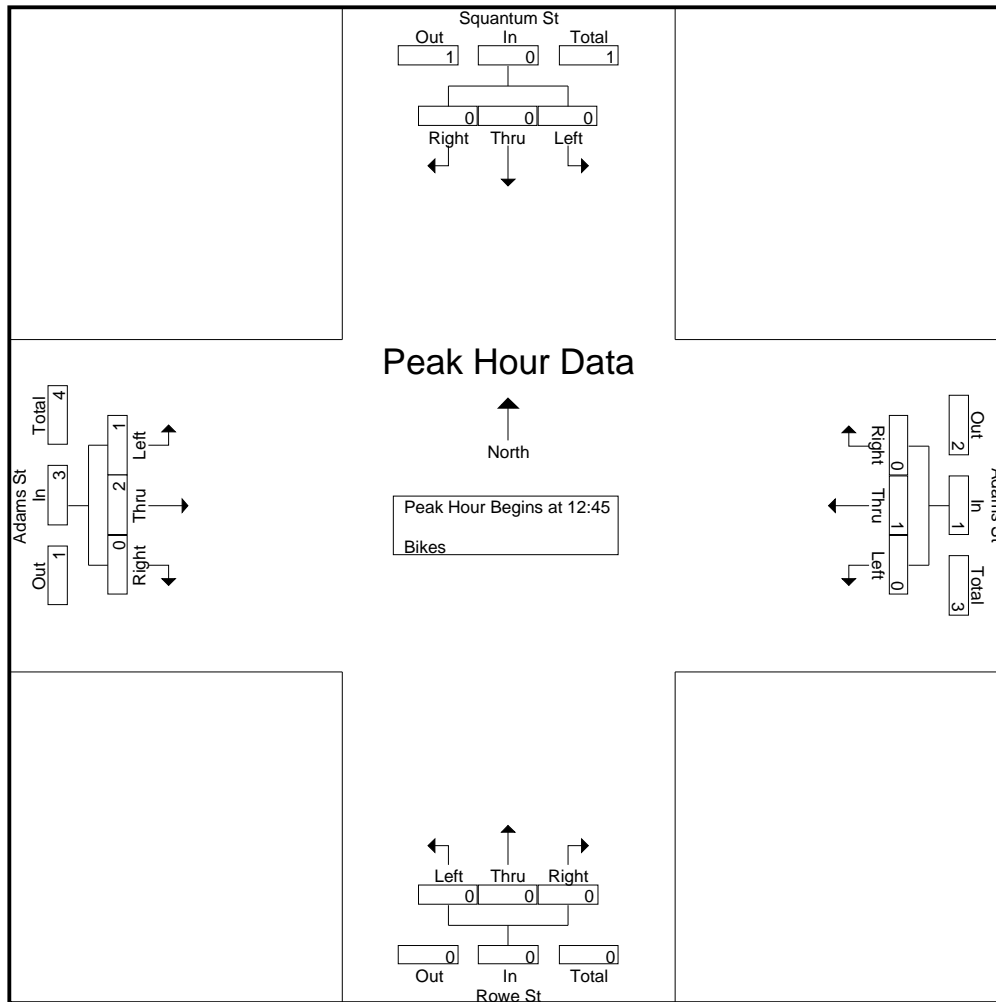
File Name : 530000A2
 Site Code : 53000002
 Start Date : 6/19/2010
 Page No : 1

N/S Street : Squantum Street
 E/W Street: Adams Street
 City/State : Milton, MA
 Weather : Clear

Groups Printed- Bikes

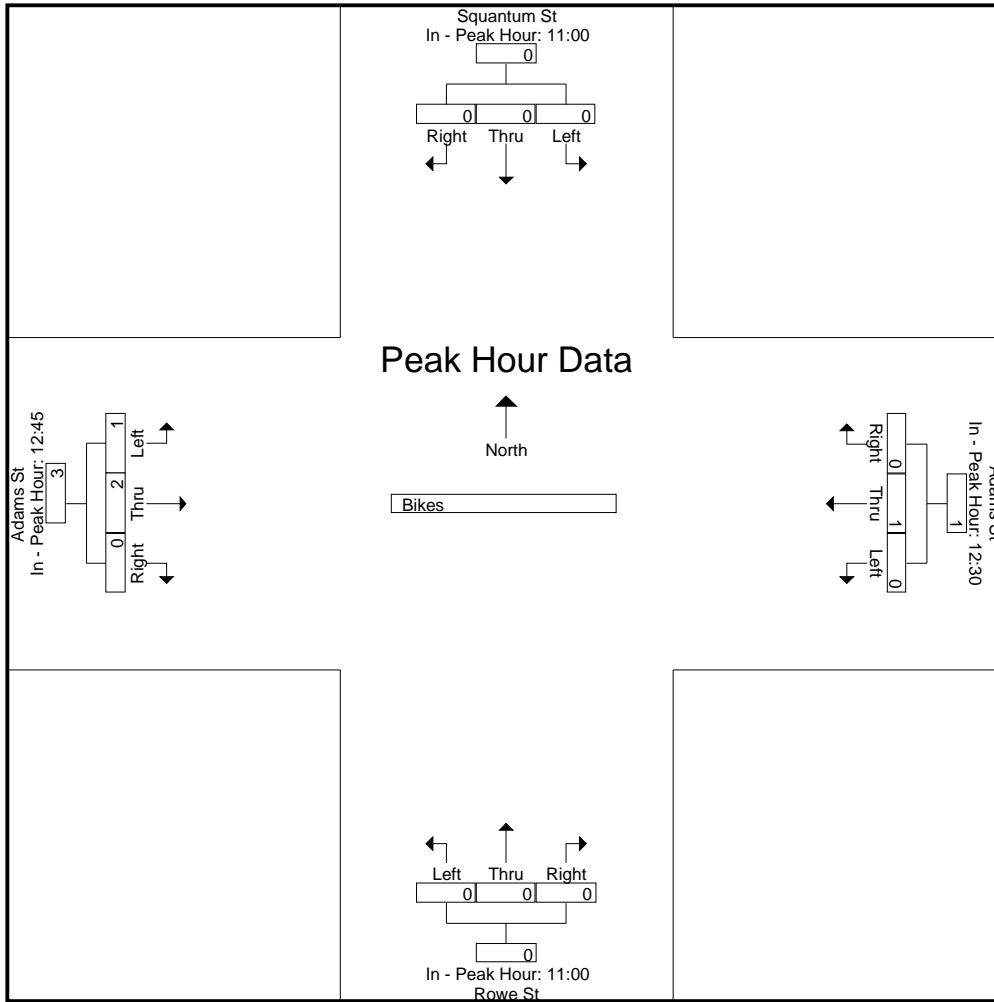
Start Time	Squantum St From North			Adams St From East			Rowe St From South			Adams St From West			Int. Total
	Left	Thru	Right	Left	Thru	Right	Left	Thru	Right	Left	Thru	Right	
11:00	0	0	0	0	0	0	0	0	0	0	0	0	0
11:15	0	0	0	0	0	0	0	0	0	0	0	0	0
11:30	0	0	0	0	0	0	0	0	0	0	1	0	1
11:45	0	0	0	0	0	0	0	0	0	0	0	0	0
Total	0	0	0	0	0	0	0	0	0	0	1	0	1
12:00	0	0	0	0	0	0	0	0	0	0	0	0	0
12:15	0	0	0	0	0	0	0	0	0	0	0	0	0
12:30	0	0	0	0	0	0	0	0	0	0	0	0	0
12:45	0	0	0	0	0	0	0	0	0	0	0	0	0
Total	0	0	0	0	0	0	0	0	0	0	0	0	0
13:00	0	0	0	0	0	0	0	0	0	1	0	0	1
13:15	0	0	0	0	1	0	0	0	0	0	1	0	2
13:30	0	0	0	0	0	0	0	0	0	0	1	0	1
13:45	0	0	0	0	0	0	0	0	0	0	0	0	0
Total	0	0	0	0	1	0	0	0	0	1	2	0	4
Grand Total	0	0	0	0	1	0	0	0	0	1	3	0	5
Apprch %	0	0	0	0	100	0	0	0	0	25	75	0	
Total %	0	0	0	0	20	0	0	0	0	20	60	0	

Start Time	Squantum St From North				Adams St From East				Rowe St From South				Adams St From West				Int. Total
	Left	Thru	Right	App. Total	Left	Thru	Right	App. Total	Left	Thru	Right	App. Total	Left	Thru	Right	App. Total	
Peak Hour Analysis From 11:00 to 13:45 - Peak 1 of 1																	
Peak Hour for Entire Intersection Begins at 12:45																	
12:45	0	0	0	0	0	0	0	0	0	0	0	0	0	0	0	0	0
13:00	0	0	0	0	0	0	0	0	0	0	0	0	1	0	0	1	1
13:15	0	0	0	0	0	1	0	1	0	0	0	0	0	1	0	1	2
13:30	0	0	0	0	0	0	0	0	0	0	0	0	0	1	0	1	1
Total Volume	0	0	0	0	0	1	0	1	0	0	0	0	1	2	0	3	4
% App. Total	0	0	0	0	0	100	0	0	0	0	0	0	33.3	66.7	0		
PHF	.000	.000	.000	.000	.000	.250	.000	.250	.000	.000	.000	.000	.250	.500	.000	.750	.500



Peak Hour Analysis From 11:00 to 13:45 - Peak 1 of 1
 Peak Hour for Each Approach Begins at:

	11:00				12:30				11:00				12:45			
+0 mins.	0	0	0	0	0	0	0	0	0	0	0	0	0	0	0	0
+15 mins.	0	0	0	0	0	0	0	0	0	0	0	0	1	0	0	1
+30 mins.	0	0	0	0	0	0	0	0	0	0	0	0	0	1	0	1
+45 mins.	0	0	0	0	0	0	1	0	1	0	0	0	0	1	0	1
Total Volume	0	0	0	0	0	1	0	1	0	0	0	0	1	2	0	3
% App. Total	0	0	0	0	0	100	0	0	0	0	0	0	33.3	66.7	0	0
PHF	.000	.000	.000	.000	.000	.250	.000	.250	.000	.000	.000	.000	.250	.500	.000	.750



Accurate Counts
978-664-2565

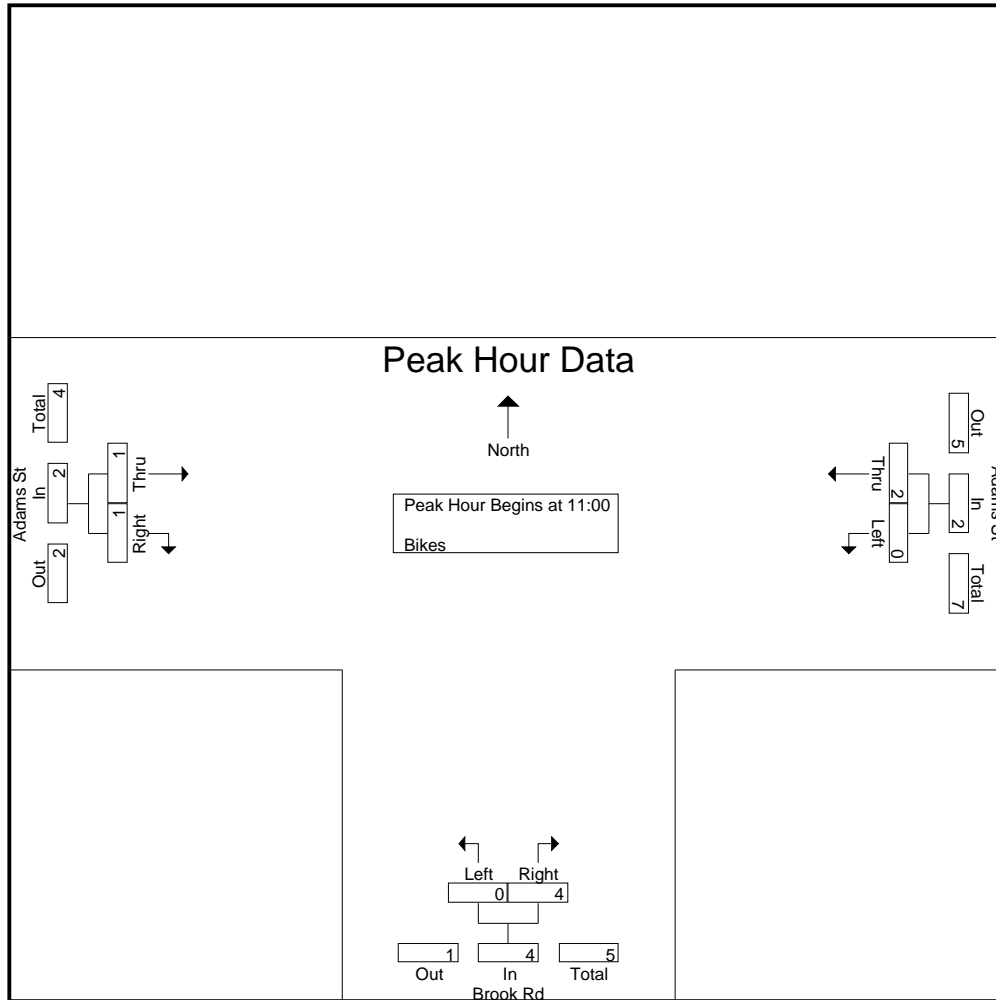
File Name : 530000A3
Site Code : 53000003
Start Date : 6/19/2010
Page No : 1

N/S Street : Brook Road
E/W Street: Adams Street
City/State : Milton, MA
Weather : Clear

Groups Printed- Bikes

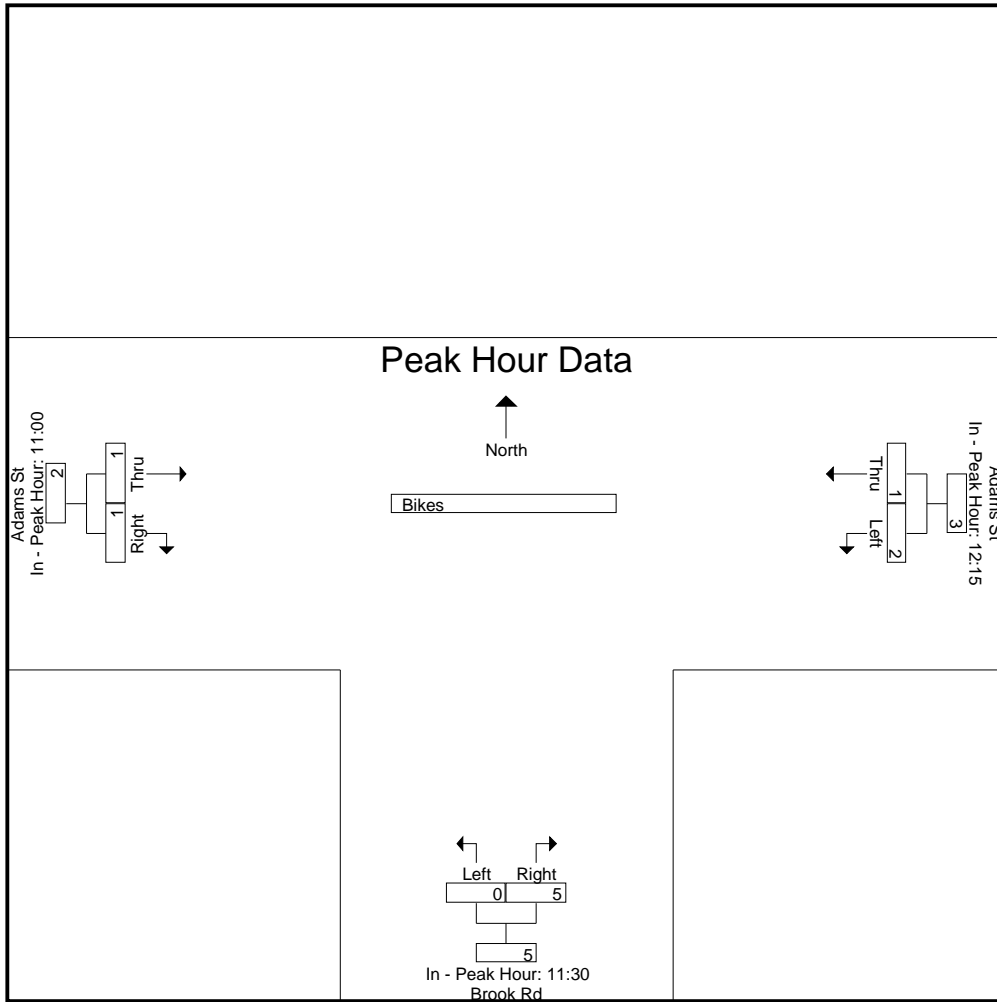
Start Time	Adams St From East		Brook Rd From South		Adams St From West		Int. Total
	Left	Thru	Left	Right	Thru	Right	
11:00	0	2	0	1	0	0	3
11:15	0	0	0	1	1	1	3
11:30	0	0	0	1	0	0	1
11:45	0	0	0	1	0	0	1
Total	0	2	0	4	1	1	8
12:00	1	0	0	0	0	0	1
12:15	0	0	0	3	0	0	3
12:30	0	0	0	1	0	0	1
12:45	0	0	0	0	0	0	0
Total	1	0	0	4	0	0	5
13:00	2	1	0	0	1	0	4
13:15	0	0	0	0	0	0	0
13:30	0	0	0	0	0	0	0
13:45	0	0	0	0	0	0	0
Total	2	1	0	0	1	0	4
Grand Total	3	3	0	8	2	1	17
Apprch %	50	50	0	100	66.7	33.3	
Total %	17.6	17.6	0	47.1	11.8	5.9	

Start Time	Adams St From East			Brook Rd From South			Adams St From West			Int. Total
	Left	Thru	App. Total	Left	Right	App. Total	Thru	Right	App. Total	
Peak Hour Analysis From 11:00 to 13:45 - Peak 1 of 1										
Peak Hour for Entire Intersection Begins at 11:00										
11:00	0	2	2	0	1	1	0	0	0	3
11:15	0	0	0	0	1	1	1	1	2	3
11:30	0	0	0	0	1	1	0	0	0	1
11:45	0	0	0	0	1	1	0	0	0	1
Total Volume	0	2	2	0	4	4	1	1	2	8
% App. Total	0	100		0	100		50	50		
PHF	.000	.250	.250	.000	1.000	1.000	.250	.250	.250	.667



Peak Hour Analysis From 11:00 to 13:45 - Peak 1 of 1
Peak Hour for Each Approach Begins at:

	12:15			11:30			11:00		
+0 mins.	0	0	0	0	1	1	0	0	0
+15 mins.	0	0	0	0	1	1	1	1	2
+30 mins.	0	0	0	0	0	0	0	0	0
+45 mins.	2	1	3	0	3	3	0	0	0
Total Volume	2	1	3	0	5	5	1	1	2
% App. Total	66.7	33.3		0	100		50	50	
PHF	.250	.250	.250	.000	.417	.417	.250	.250	.250



Accurate Counts
978-664-2565

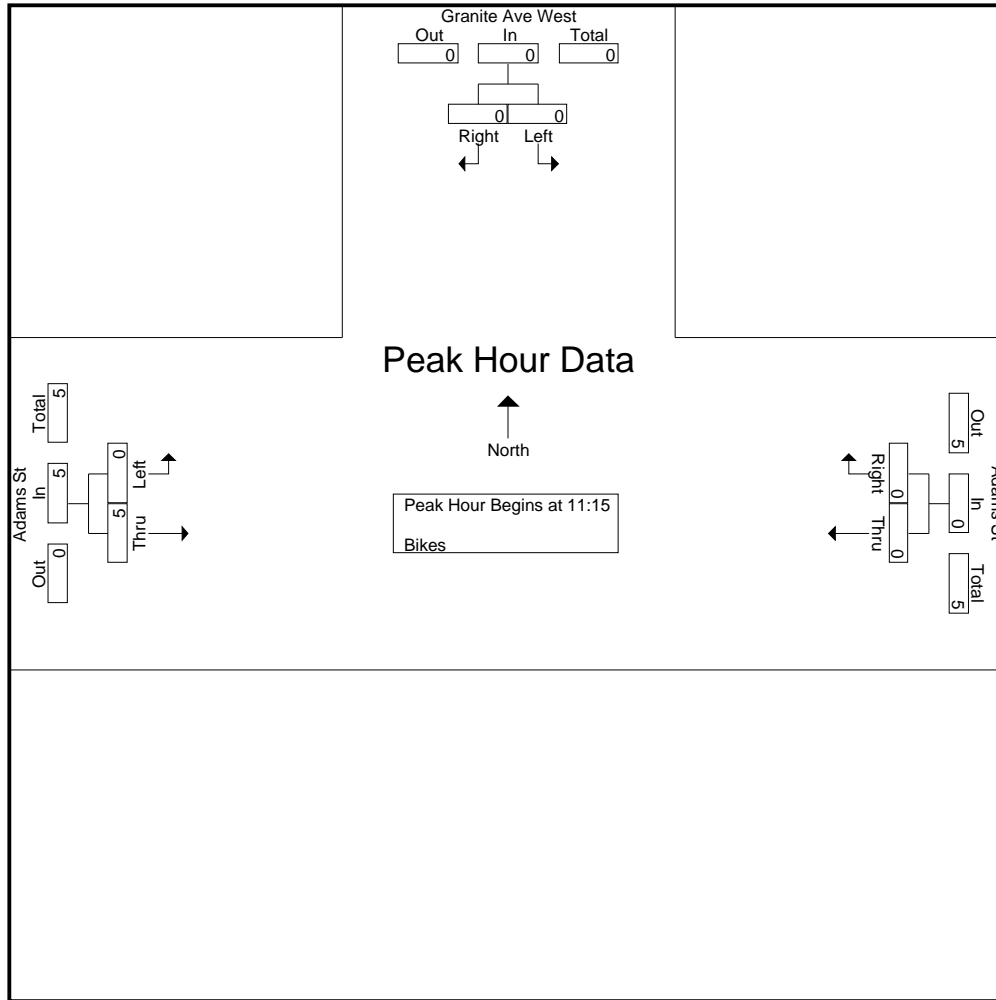
N/S Street : Granite Avenue West
E/W Street: Adams Street
City/State : Milton, MA
Weather : Clear

File Name : 530000A4
Site Code : 53000004
Start Date : 6/19/2010
Page No : 1

Groups Printed- Bikes

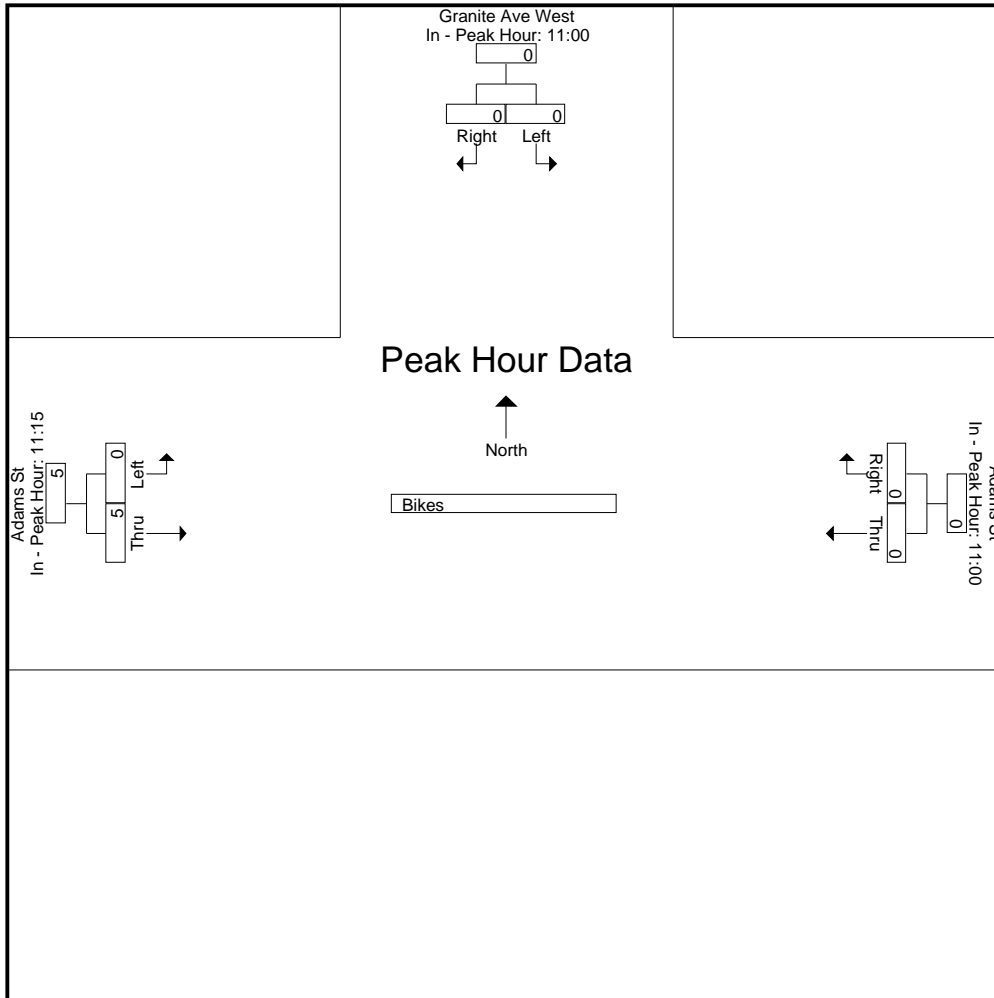
Start Time	Granite Ave West From North		Adams St From East		Adams St From West		Int. Total
	Left	Right	Thru	Right	Left	Thru	
11:00	0	0	0	0	0	1	1
11:15	0	0	0	0	0	1	1
11:30	0	0	0	0	0	0	0
11:45	0	0	0	0	0	2	2
Total	0	0	0	0	0	4	4
12:00	0	0	0	0	0	2	2
12:15	0	0	0	0	0	0	0
12:30	0	0	0	0	0	0	0
12:45	0	0	0	0	0	0	0
Total	0	0	0	0	0	2	2
13:00	0	0	0	0	0	0	0
13:15	0	0	0	0	0	0	0
13:30	0	0	0	0	0	0	0
13:45	0	0	0	0	0	0	0
Total	0	0	0	0	0	0	0
Grand Total	0	0	0	0	0	6	6
Apprch %	0	0	0	0	0	100	
Total %	0	0	0	0	0	100	

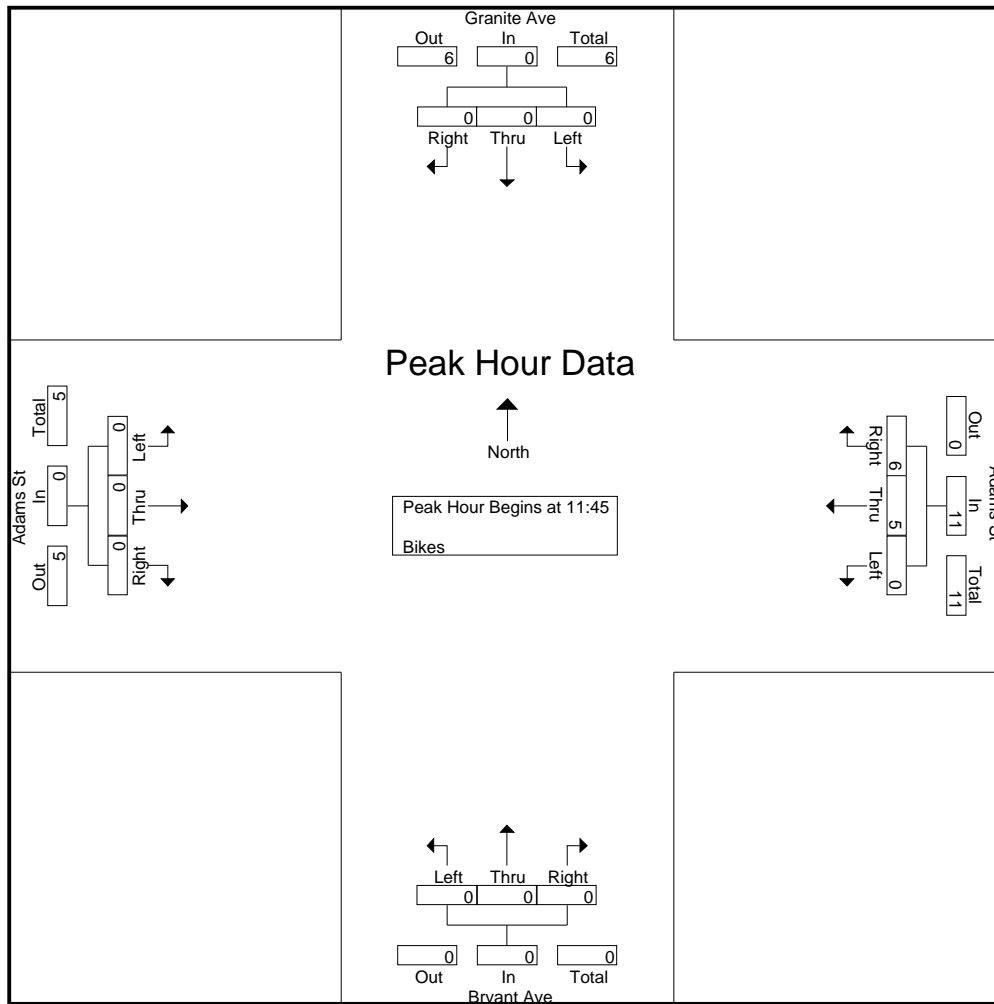
Start Time	Granite Ave West From North			Adams St From East			Adams St From West			Int. Total
	Left	Right	App. Total	Thru	Right	App. Total	Left	Thru	App. Total	
Peak Hour Analysis From 11:00 to 13:45 - Peak 1 of 1										
Peak Hour for Entire Intersection Begins at 11:15										
11:15	0	0	0	0	0	0	0	1	1	1
11:30	0	0	0	0	0	0	0	0	0	0
11:45	0	0	0	0	0	0	0	2	2	2
12:00	0	0	0	0	0	0	0	2	2	2
Total Volume	0	0	0	0	0	0	0	5	5	5
% App. Total	0	0	0	0	0	0	0	100		
PHF	.000	.000	.000	.000	.000	.000	.000	.625	.625	.625



Peak Hour Analysis From 11:00 to 13:45 - Peak 1 of 1
 Peak Hour for Each Approach Begins at:

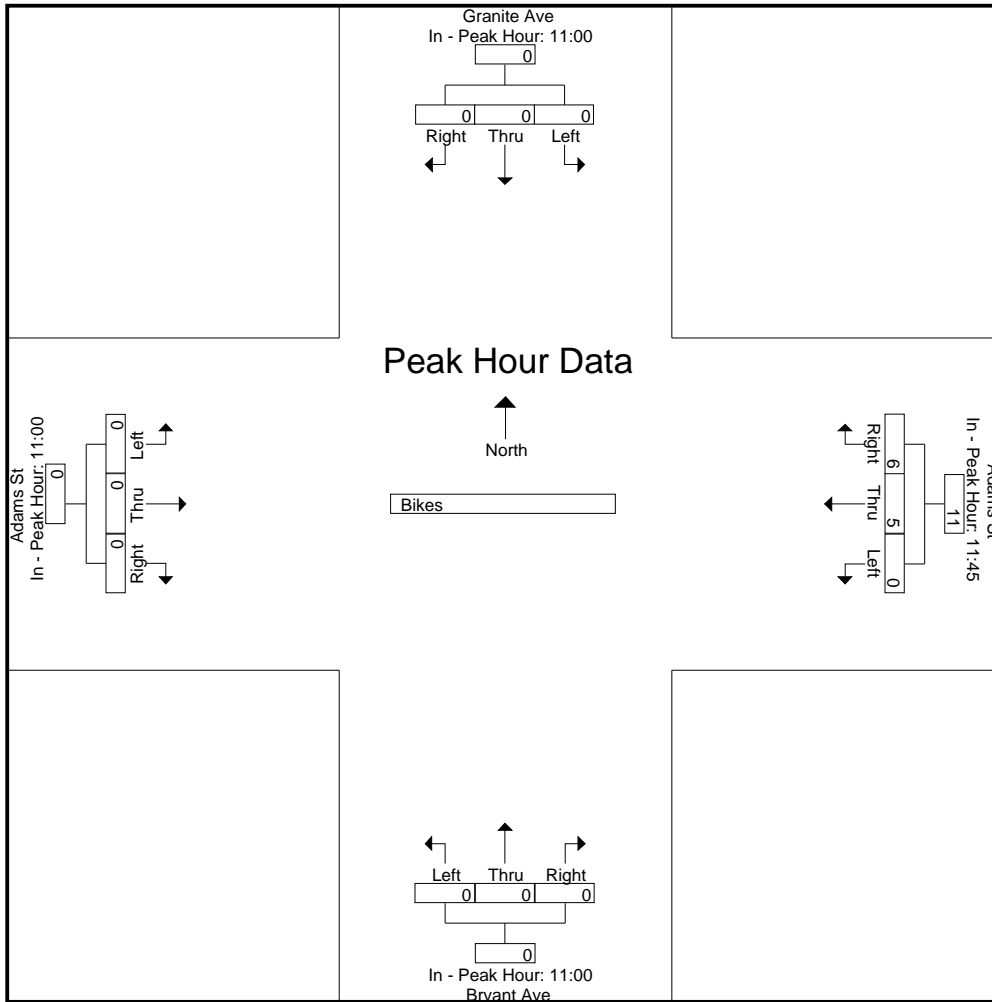
	11:00			11:00			11:15		
+0 mins.	0	0	0	0	0	0	0	1	1
+15 mins.	0	0	0	0	0	0	0	0	0
+30 mins.	0	0	0	0	0	0	0	2	2
+45 mins.	0	0	0	0	0	0	0	2	2
Total Volume	0	0	0	0	0	0	0	5	5
% App. Total	0	0	0	0	0	0	0	100	100
PHF	.000	.000	.000	.000	.000	.000	.000	.625	.625





Peak Hour Analysis From 11:00 to 13:45 - Peak 1 of 1
 Peak Hour for Each Approach Begins at:

	11:00				11:45				11:00				11:00			
+0 mins.	0	0	0	0	0	3	4	7	0	0	0	0	0	0	0	0
+15 mins.	0	0	0	0	0	0	0	0	0	0	0	0	0	0	0	0
+30 mins.	0	0	0	0	0	0	1	1	0	0	0	0	0	0	0	0
+45 mins.	0	0	0	0	0	2	1	3	0	0	0	0	0	0	0	0
Total Volume	0	0	0	0	0	5	6	11	0	0	0	0	0	0	0	0
% App. Total	0	0	0	0	0	45.5	54.5		0	0	0	0	0	0	0	0
PHF	.000	.000	.000	.000	.000	.417	.375	.393	.000	.000	.000	.000	.000	.000	.000	.000



Accurate Counts

978-664-2565

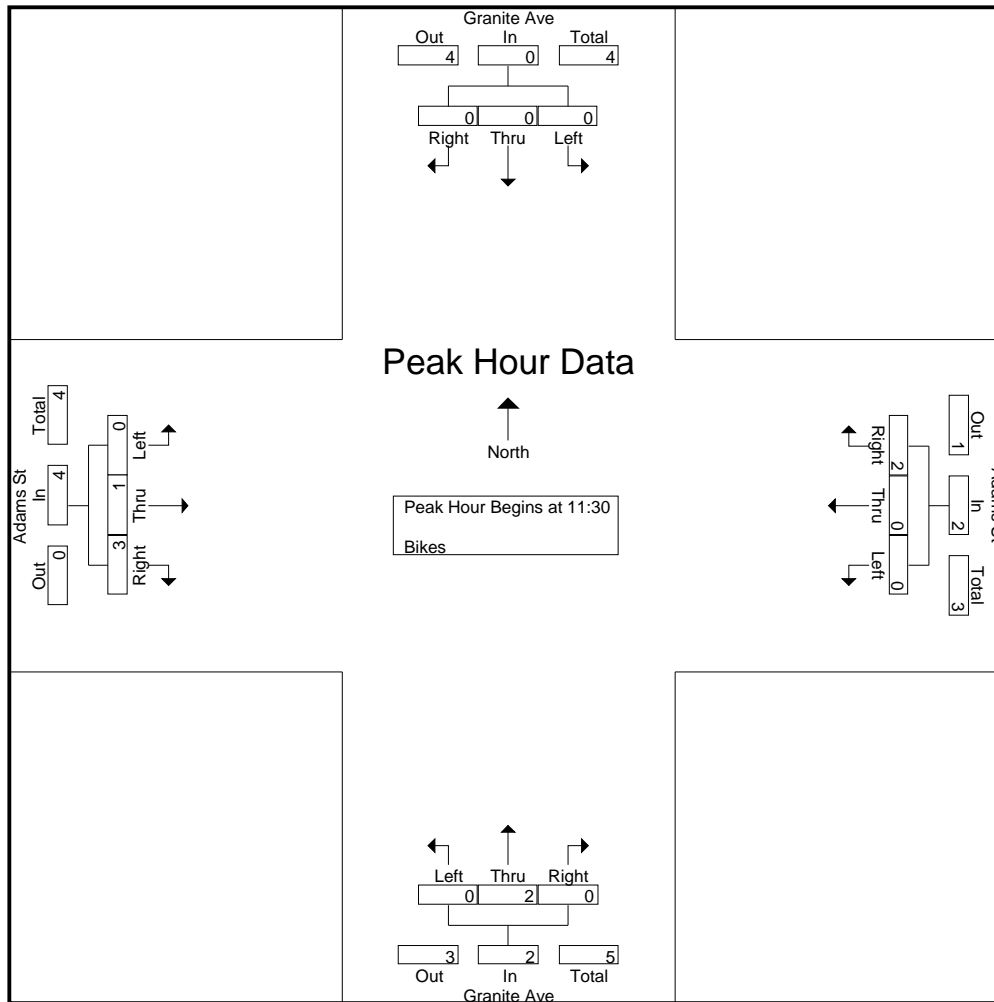
N/S Street : Granite Avenue
 E/W Street: Adams Street
 City/State : Milton, MA
 Weather : Clear

File Name : 530000A6
 Site Code : 53000006
 Start Date : 6/19/2010
 Page No : 1

Groups Printed- Bikes

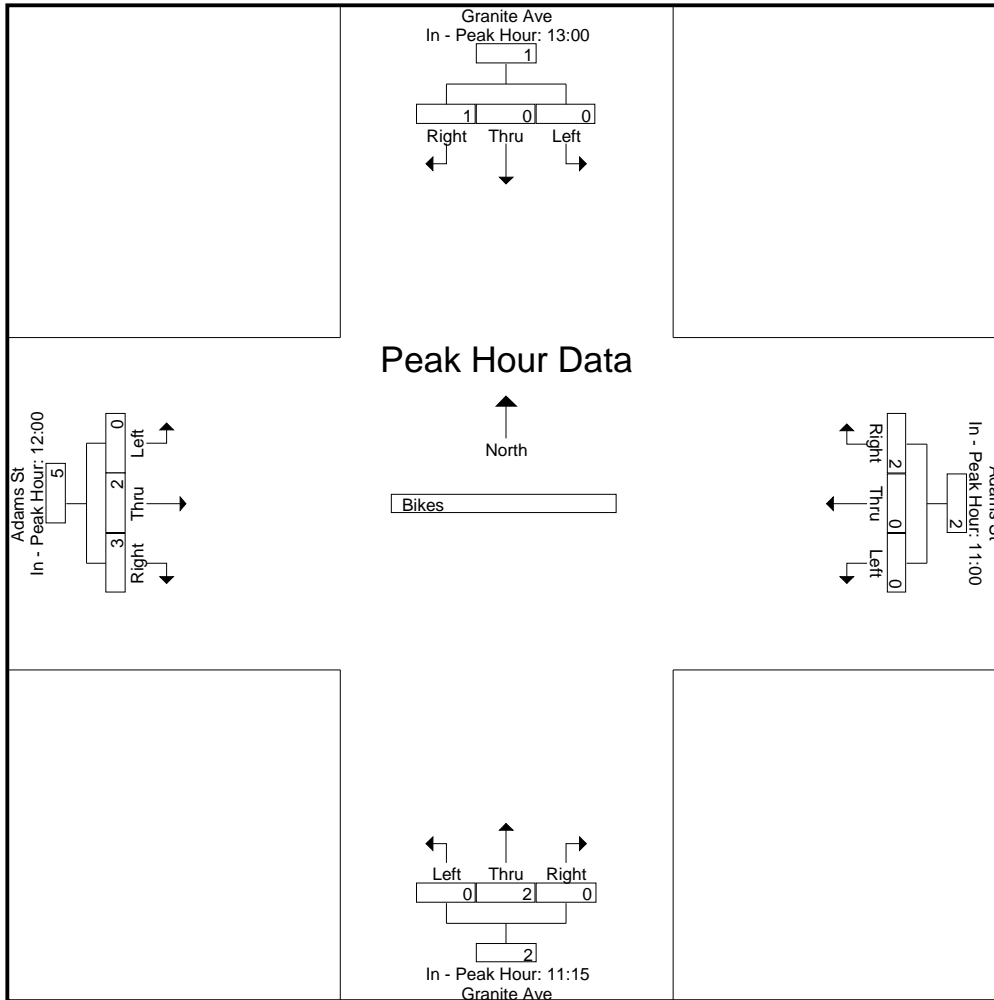
Start Time	Granite Ave From North			Adams St From East			Granite Ave From South			Adams St From West			Int. Total
	Left	Thru	Right	Left	Thru	Right	Left	Thru	Right	Left	Thru	Right	
11:00	0	0	0	0	0	0	0	0	0	0	0	0	0
11:15	0	0	0	0	0	0	0	0	0	0	0	0	0
11:30	0	0	0	0	0	2	0	0	0	0	0	0	2
11:45	0	0	0	0	0	0	0	0	0	0	0	0	0
Total	0	0	0	0	0	2	0	0	0	0	0	0	2
12:00	0	0	0	0	0	0	0	2	0	0	1	0	3
12:15	0	0	0	0	0	0	0	0	0	0	0	3	3
12:30	0	0	0	0	0	0	0	0	0	0	0	0	0
12:45	0	0	0	0	0	0	0	0	0	0	1	0	1
Total	0	0	0	0	0	0	0	2	0	0	2	3	7
13:00	0	0	0	0	0	0	0	0	0	0	0	0	0
13:15	0	0	0	0	0	0	0	0	0	0	0	0	0
13:30	0	0	0	0	0	0	0	0	0	0	0	0	0
13:45	0	0	1	0	2	0	0	0	0	0	0	0	3
Total	0	0	1	0	2	0	0	0	0	0	0	0	3
Grand Total	0	0	1	0	2	2	0	2	0	0	2	3	12
Apprch %	0	0	100	0	50	50	0	100	0	0	40	60	
Total %	0	0	8.3	0	16.7	16.7	0	16.7	0	0	16.7	25	

Start Time	Granite Ave From North				Adams St From East				Granite Ave From South				Adams St From West				Int. Total
	Left	Thru	Right	App. Total	Left	Thru	Right	App. Total	Left	Thru	Right	App. Total	Left	Thru	Right	App. Total	
Peak Hour Analysis From 11:00 to 13:45 - Peak 1 of 1																	
Peak Hour for Entire Intersection Begins at 11:30																	
11:30	0	0	0	0	0	0	2	2	0	0	0	0	0	0	0	0	2
11:45	0	0	0	0	0	0	0	0	0	0	0	0	0	0	0	0	0
12:00	0	0	0	0	0	0	0	0	0	2	0	2	0	1	0	1	3
12:15	0	0	0	0	0	0	0	0	0	0	0	0	0	0	3	3	3
Total Volume	0	0	0	0	0	0	2	2	0	2	0	2	0	1	3	4	8
% App. Total	0	0	0		0	0	100		0	100	0		0	25	75		
PHF	.000	.000	.000	.000	.000	.000	.250	.250	.000	.250	.000	.250	.000	.250	.250	.333	.667



Peak Hour Analysis From 11:00 to 13:45 - Peak 1 of 1
Peak Hour for Each Approach Begins at:

	13:00				11:00				11:15				12:00			
+0 mins.	0	0	0	0	0	0	0	0	0	0	0	0	0	1	0	1
+15 mins.	0	0	0	0	0	0	0	0	0	0	0	0	0	0	3	3
+30 mins.	0	0	0	0	0	0	2	2	0	0	0	0	0	0	0	0
+45 mins.	0	0	1	1	0	0	0	0	0	2	0	2	0	1	0	1
Total Volume	0	0	1	1	0	0	2	2	0	2	0	2	0	2	3	5
% App. Total	0	0	100		0	0	100		0	100	0		0	40	60	
PHF	.000	.000	.250	.250	.000	.000	.250	.250	.000	.250	.000	.250	.000	.500	.250	.417



Accurate Counts

978-664-2565

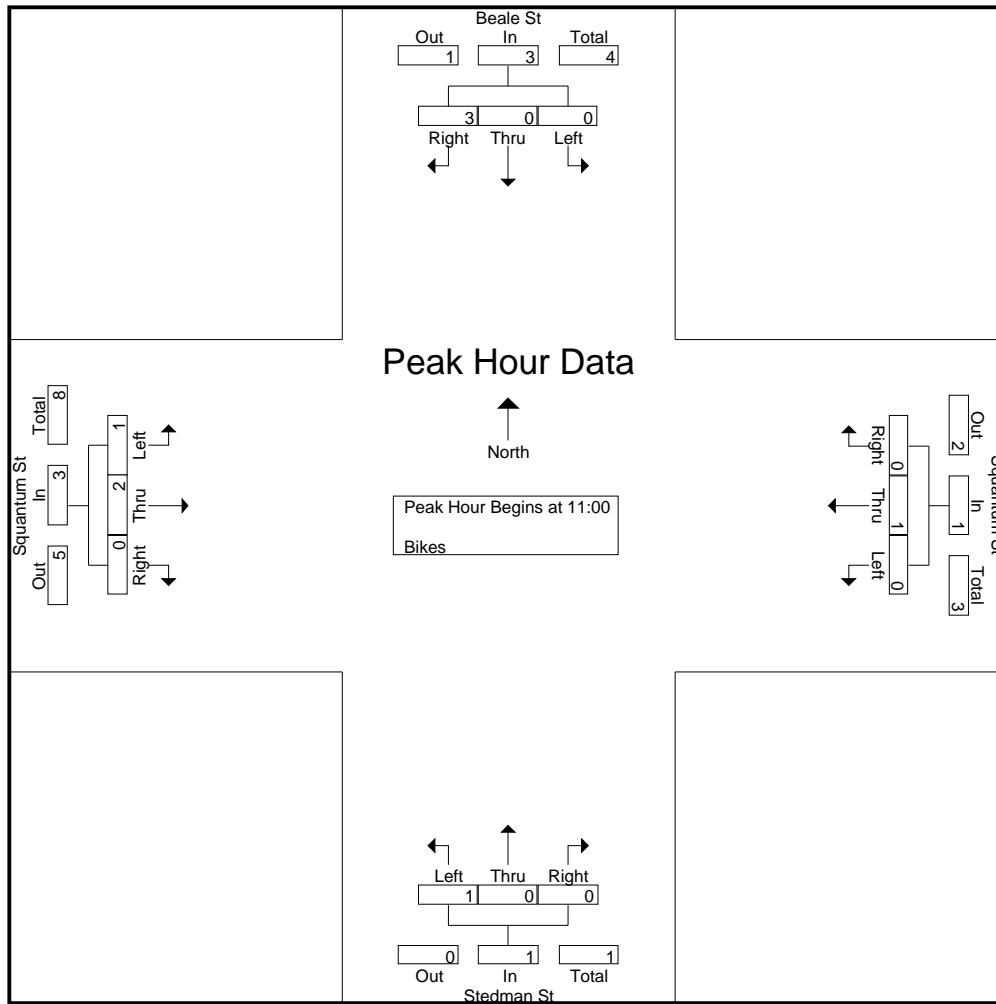
N/S Street : Stedman St / Beale St
 E/W Street: Adams Street
 City/State : Milton, MA
 Weather : Clear

File Name : 530000A7
 Site Code : 53000007
 Start Date : 6/19/2010
 Page No : 1

Groups Printed- Bikes

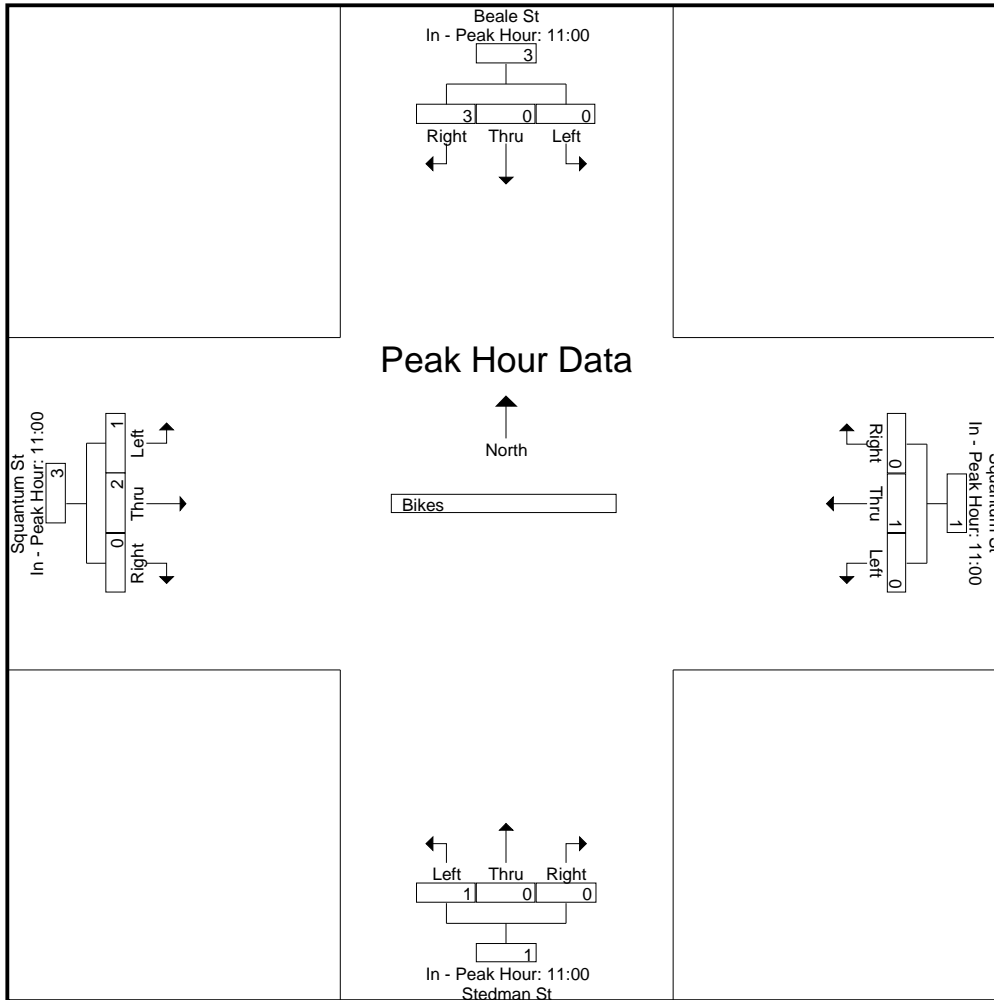
Start Time	Beale St From North			Squantum St From East			Stedman St From South			Squantum St From West			Int. Total
	Left	Thru	Right	Left	Thru	Right	Left	Thru	Right	Left	Thru	Right	
11:00	0	0	0	0	0	0	0	0	0	0	0	0	0
11:15	0	0	0	0	0	0	0	0	0	0	0	0	0
11:30	0	0	3	0	0	0	0	0	0	1	2	0	6
11:45	0	0	0	0	1	0	1	0	0	0	0	0	2
Total	0	0	3	0	1	0	1	0	0	1	2	0	8
12:00	0	0	0	0	0	0	0	0	0	0	0	0	0
12:15	0	0	0	0	0	0	0	0	0	0	0	0	0
12:30	0	0	0	0	0	0	0	0	0	0	0	0	0
12:45	0	0	0	0	0	0	0	1	0	0	0	0	1
Total	0	0	0	0	0	0	0	1	0	0	0	0	1
13:00	0	0	0	0	0	0	0	0	0	0	0	0	0
13:15	0	0	0	0	0	0	0	0	0	0	0	0	0
13:30	0	0	0	0	0	0	0	0	0	0	2	0	2
13:45	0	0	0	0	0	0	0	0	0	0	0	0	0
Total	0	0	0	0	0	0	0	0	0	0	2	0	2
Grand Total	0	0	3	0	1	0	1	1	0	1	4	0	11
Apprch %	0	0	100	0	100	0	50	50	0	20	80	0	
Total %	0	0	27.3	0	9.1	0	9.1	9.1	0	9.1	36.4	0	

Start Time	Beale St From North				Squantum St From East				Stedman St From South				Squantum St From West				Int. Total
	Left	Thru	Right	App. Total	Left	Thru	Right	App. Total	Left	Thru	Right	App. Total	Left	Thru	Right	App. Total	
Peak Hour Analysis From 11:00 to 13:45 - Peak 1 of 1																	
Peak Hour for Entire Intersection Begins at 11:00																	
11:00	0	0	0	0	0	0	0	0	0	0	0	0	0	0	0	0	0
11:15	0	0	0	0	0	0	0	0	0	0	0	0	0	0	0	0	0
11:30	0	0	3	3	0	0	0	0	0	0	0	0	1	2	0	3	6
11:45	0	0	0	0	0	1	0	1	1	0	0	1	0	0	0	0	2
Total Volume	0	0	3	3	0	1	0	1	1	0	0	1	1	2	0	3	8
% App. Total	0	0	100		0	100	0		100	0	0		33.3	66.7	0		
PHF	.000	.000	.250	.250	.000	.250	.000	.250	.250	.000	.000	.250	.250	.250	.000	.250	.333



Peak Hour Analysis From 11:00 to 13:45 - Peak 1 of 1
Peak Hour for Each Approach Begins at:

	11:00				11:00				11:00				11:00			
+0 mins.	0	0	0	0	0	0	0	0	0	0	0	0	0	0	0	0
+15 mins.	0	0	0	0	0	0	0	0	0	0	0	0	0	0	0	0
+30 mins.	0	0	3	3	0	0	0	0	0	0	0	0	1	2	0	3
+45 mins.	0	0	0	0	0	1	0	1	1	0	0	1	0	0	0	0
Total Volume	0	0	3	3	0	1	0	1	1	0	0	1	1	2	0	3
% App. Total	0	0	100		0	100	0		100	0	0		33.3	66.7	0	
PHF	.000	.000	.250	.250	.000	.250	.000	.250	.250	.000	.000	.250	.250	.250	.000	.250



Accurate Counts

978-664-2565

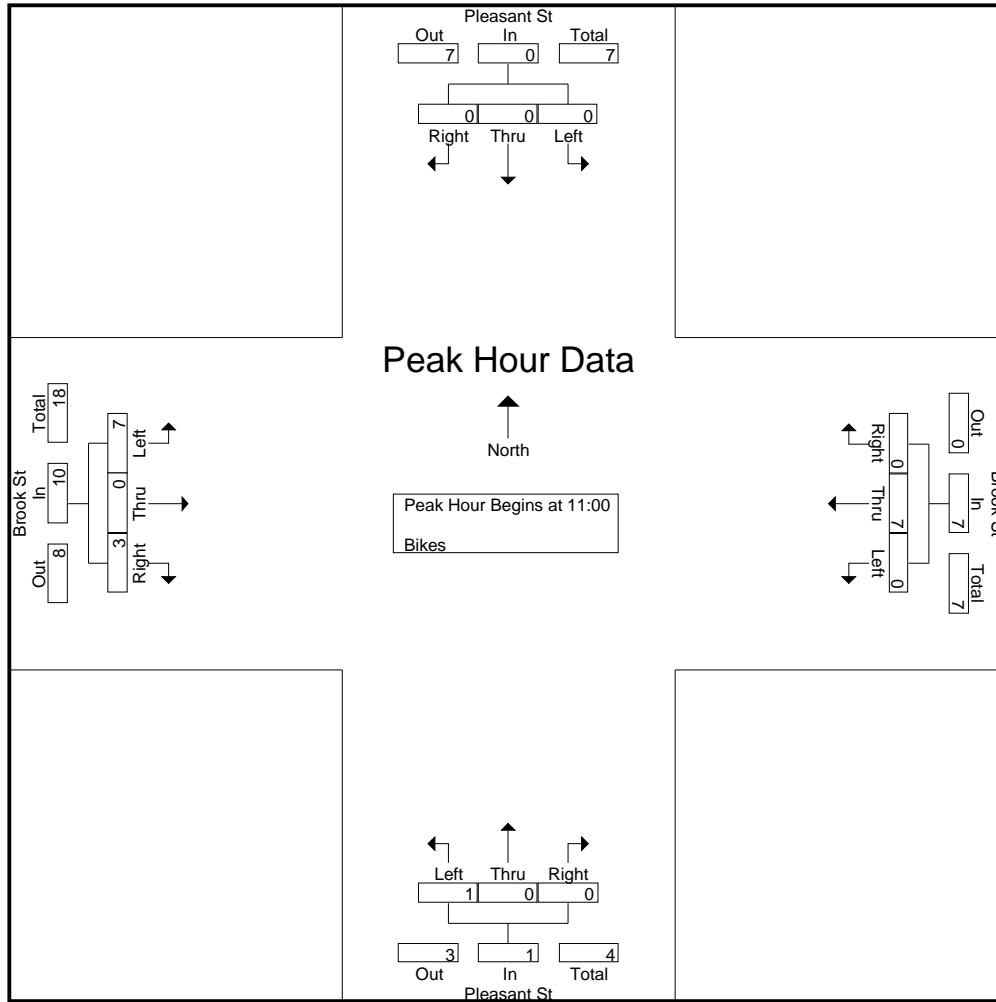
N/S Street : Pleasant Street
 E/W Street: Brook Street
 City/State : Milton, MA
 Weather : Clear

File Name : 530000A8
 Site Code : 53000008
 Start Date : 6/19/2010
 Page No : 1

Groups Printed- Bikes

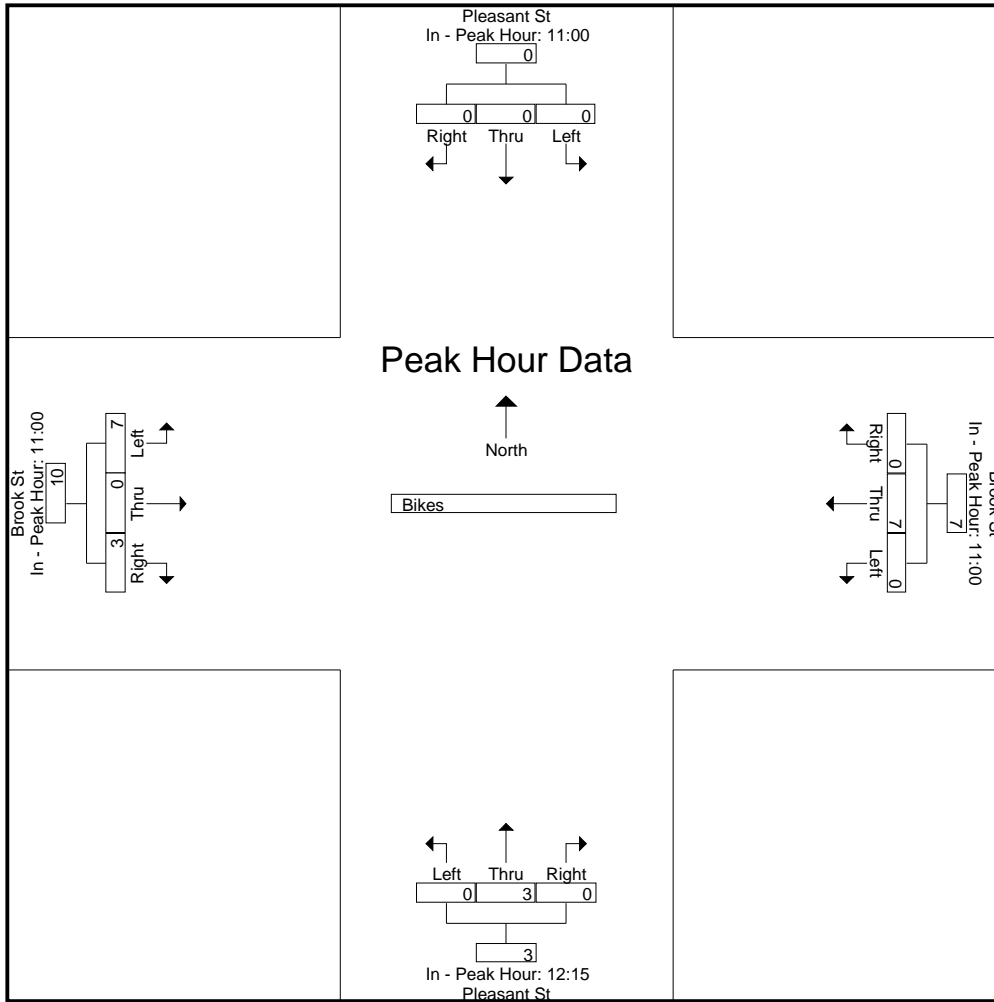
Start Time	Pleasant St From North			Brook St From East			Pleasant St From South			Brook St From West			Int. Total
	Left	Thru	Right	Left	Thru	Right	Left	Thru	Right	Left	Thru	Right	
11:00	0	0	0	0	0	0	0	0	0	4	0	3	7
11:15	0	0	0	0	1	0	0	0	0	1	0	0	2
11:30	0	0	0	0	5	0	1	0	0	2	0	0	8
11:45	0	0	0	0	1	0	0	0	0	0	0	0	1
Total	0	0	0	0	7	0	1	0	0	7	0	3	18
12:00	0	0	0	0	0	0	0	0	0	5	0	0	5
12:15	0	0	0	0	0	0	0	0	0	2	0	0	2
12:30	0	0	0	0	0	0	0	0	0	0	0	0	0
12:45	0	0	0	0	3	0	0	0	0	2	0	0	5
Total	0	0	0	0	3	0	0	0	0	9	0	0	12
13:00	0	0	0	0	0	0	0	3	0	0	0	0	3
13:15	0	0	0	0	0	0	0	0	0	0	0	0	0
13:30	0	0	0	0	1	0	0	0	0	0	0	0	1
13:45	0	0	0	0	0	0	0	0	0	1	0	0	1
Total	0	0	0	0	1	0	0	3	0	1	0	0	5
Grand Total	0	0	0	0	11	0	1	3	0	17	0	3	35
Apprch %	0	0	0	0	100	0	25	75	0	85	0	15	
Total %	0	0	0	0	31.4	0	2.9	8.6	0	48.6	0	8.6	

Start Time	Pleasant St From North				Brook St From East				Pleasant St From South				Brook St From West				Int. Total
	Left	Thru	Right	App. Total	Left	Thru	Right	App. Total	Left	Thru	Right	App. Total	Left	Thru	Right	App. Total	
Peak Hour Analysis From 11:00 to 13:45 - Peak 1 of 1																	
Peak Hour for Entire Intersection Begins at 11:00																	
11:00	0	0	0	0	0	0	0	0	0	0	0	0	0	4	0	3	7
11:15	0	0	0	0	0	1	0	1	0	0	0	0	0	1	0	0	1
11:30	0	0	0	0	0	5	0	5	1	0	0	1	0	2	0	0	2
11:45	0	0	0	0	0	1	0	1	0	0	0	0	0	0	0	0	0
Total Volume	0	0	0	0	0	7	0	7	1	0	0	1	0	7	0	3	10
% App. Total	0	0	0	0	0	100	0	100	0	0	0	0	0	70	0	30	
PHF	.000	.000	.000	.000	.000	.350	.000	.350	.250	.000	.000	.250	.438	.000	.250	.357	.563



Peak Hour Analysis From 11:00 to 13:45 - Peak 1 of 1
Peak Hour for Each Approach Begins at:

	11:00				11:00				12:15				11:00			
+0 mins.	0	0	0	0	0	0	0	0	0	0	0	0	4	0	3	7
+15 mins.	0	0	0	0	0	1	0	1	0	0	0	0	1	0	0	1
+30 mins.	0	0	0	0	0	5	0	5	0	0	0	0	2	0	0	2
+45 mins.	0	0	0	0	0	1	0	1	0	3	0	3	0	0	0	0
Total Volume	0	0	0	0	0	7	0	7	0	3	0	3	7	0	3	10
% App. Total	0	0	0	0	0	100	0	7	0	100	0	3	70	0	30	10
PHF	.000	.000	.000	.000	.000	.350	.000	.350	.000	.250	.000	.250	.438	.000	.250	.357



Accurate Counts
978-664-2565

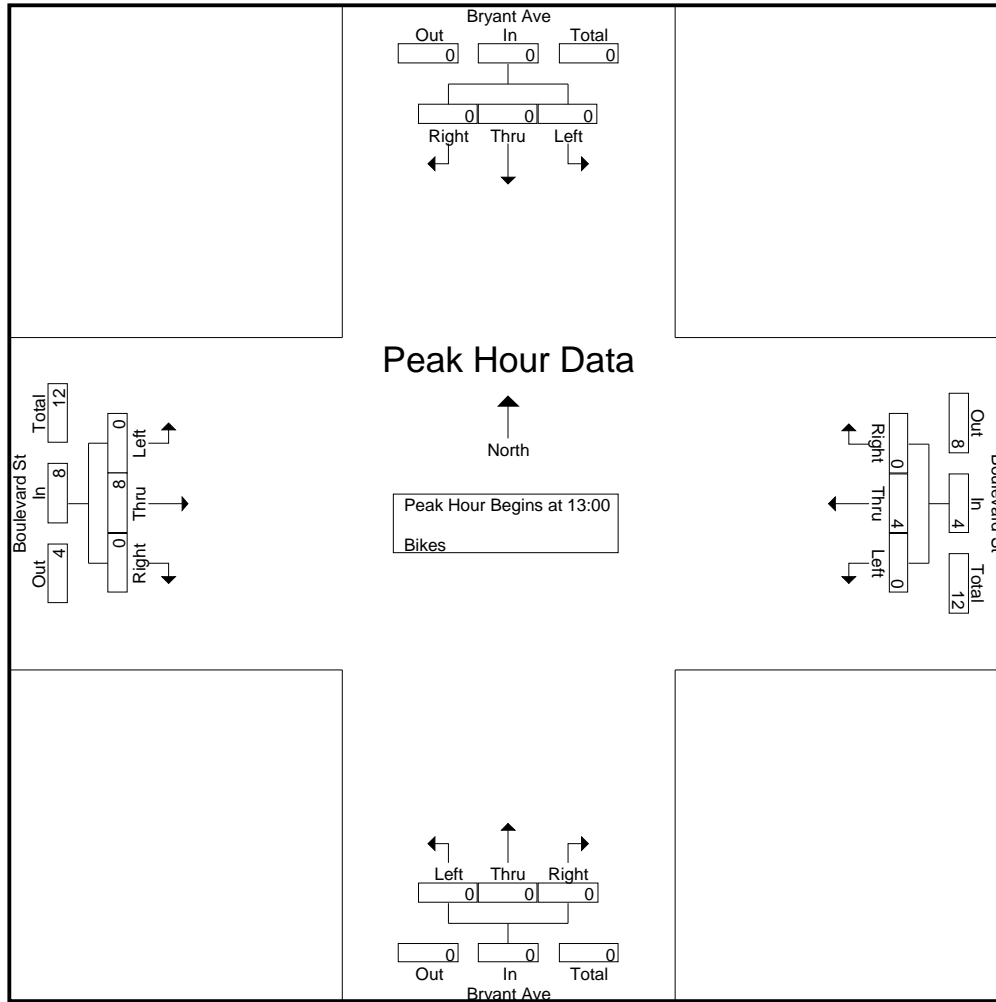
File Name : 530000A9
Site Code : 53000009
Start Date : 6/19/2010
Page No : 1

N/S Street : Bryant Avenue
E/W Street: Boulevard Street
City/State : Milton, MA
Weather : Clear

Groups Printed- Bikes

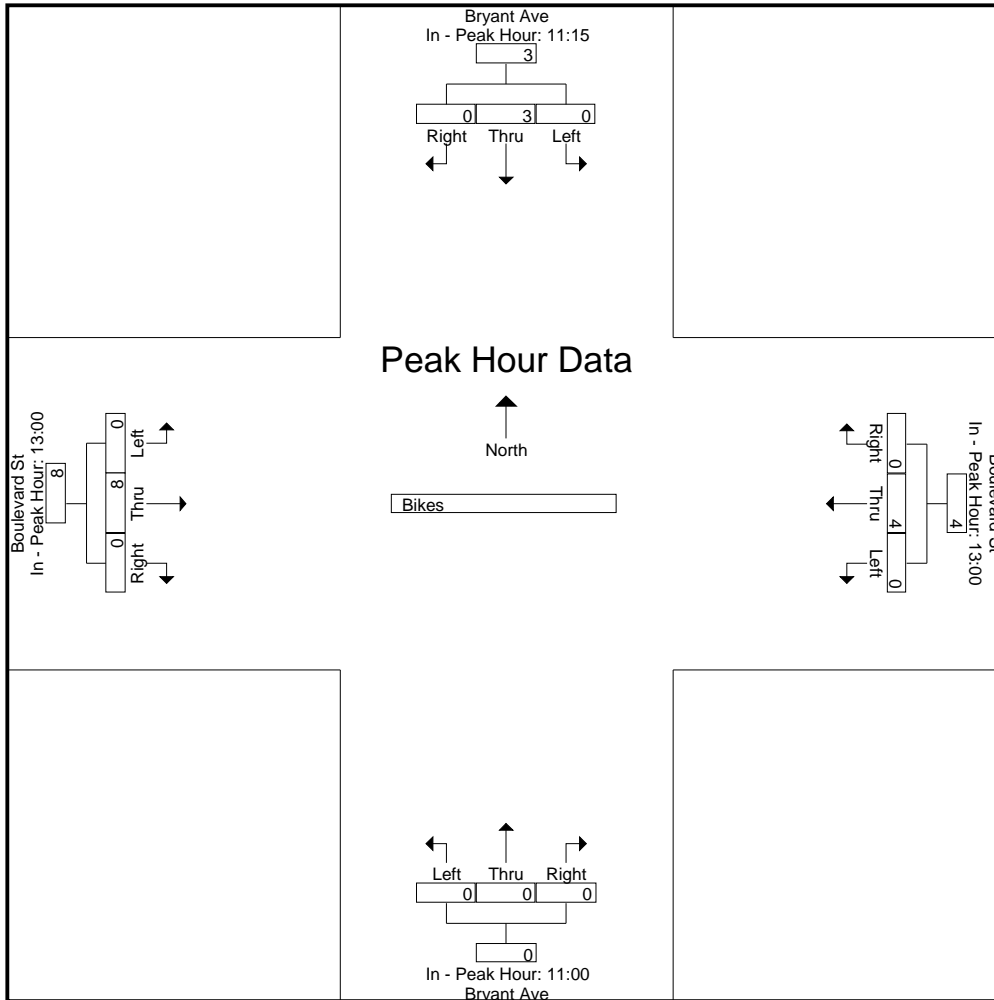
Start Time	Bryant Ave From North			Boulevard St From East			Bryant Ave From South			Boulevard St From West			Int. Total
	Left	Thru	Right	Left	Thru	Right	Left	Thru	Right	Left	Thru	Right	
11:00	0	0	0	0	0	0	0	0	0	0	1	0	1
11:15	0	0	0	0	0	0	0	0	0	0	0	0	0
11:30	0	0	0	0	0	0	0	0	0	0	0	0	0
11:45	0	2	0	0	0	0	0	0	0	0	0	0	2
Total	0	2	0	0	0	0	0	0	0	0	1	0	3
12:00	0	1	0	0	0	0	0	0	0	0	0	1	2
12:15	0	0	0	0	0	0	0	0	0	0	0	0	0
12:30	0	0	0	0	0	0	0	0	0	0	1	0	1
12:45	0	0	0	0	0	0	0	0	0	0	0	0	0
Total	0	1	0	0	0	0	0	0	0	0	1	1	3
13:00	0	0	0	0	0	0	0	0	0	0	4	0	4
13:15	0	0	0	0	1	0	0	0	0	0	0	0	1
13:30	0	0	0	0	0	0	0	0	0	0	3	0	3
13:45	0	0	0	0	3	0	0	0	0	0	1	0	4
Total	0	0	0	0	4	0	0	0	0	0	8	0	12
Grand Total	0	3	0	0	4	0	0	0	0	0	10	1	18
Apprch %	0	100	0	0	100	0	0	0	0	0	90.9	9.1	
Total %	0	16.7	0	0	22.2	0	0	0	0	0	55.6	5.6	

Start Time	Bryant Ave From North				Boulevard St From East				Bryant Ave From South				Boulevard St From West				Int. Total
	Left	Thru	Right	App. Total	Left	Thru	Right	App. Total	Left	Thru	Right	App. Total	Left	Thru	Right	App. Total	
Peak Hour Analysis From 11:00 to 13:45 - Peak 1 of 1																	
Peak Hour for Entire Intersection Begins at 13:00																	
13:00	0	0	0	0	0	0	0	0	0	0	0	0	0	4	0	0	4
13:15	0	0	0	0	0	1	0	1	0	0	0	0	0	0	0	0	0
13:30	0	0	0	0	0	0	0	0	0	0	0	0	0	3	0	0	3
13:45	0	0	0	0	0	3	0	3	0	0	0	0	0	1	0	0	1
Total Volume	0	0	0	0	0	4	0	4	0	0	0	0	0	8	0	0	8
% App. Total	0	0	0	0	0	100	0	0	0	0	0	0	0	100	0	0	0
PHF	.000	.000	.000	.000	.000	.333	.000	.333	.000	.000	.000	.000	.000	.500	.000	.000	.750



Peak Hour Analysis From 11:00 to 13:45 - Peak 1 of 1
Peak Hour for Each Approach Begins at:

	11:15				13:00				11:00				13:00			
+0 mins.	0	0	0	0	0	0	0	0	0	0	0	0	0	4	0	4
+15 mins.	0	0	0	0	0	1	0	1	0	0	0	0	0	0	0	0
+30 mins.	0	2	0	2	0	0	0	0	0	0	0	0	0	3	0	3
+45 mins.	0	1	0	1	0	3	0	3	0	0	0	0	0	1	0	1
Total Volume	0	3	0	3	0	4	0	4	0	0	0	0	0	8	0	8
% App. Total	0	100	0		0	100	0		0	0	0		0	100	0	
PHF	.000	.375	.000	.375	.000	.333	.000	.333	.000	.000	.000	.000	.000	.500	.000	.500



Accurate Counts
978-664-2565

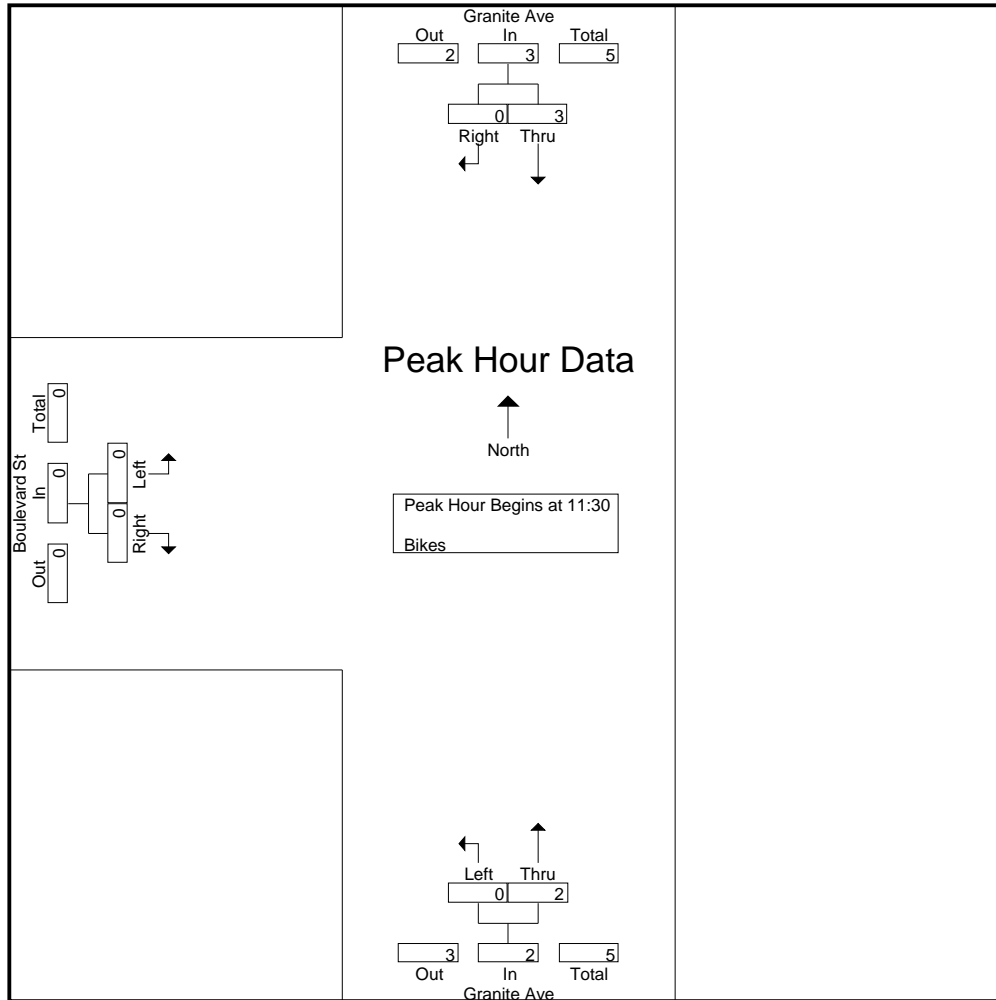
File Name : 53000a10
Site Code : 53000010
Start Date : 6/19/2010
Page No : 1

N/S Street : Granite Avenue
E/W Street: Boulevard Street
City/State : Milton, MA
Weather : Clear

Groups Printed- Bikes

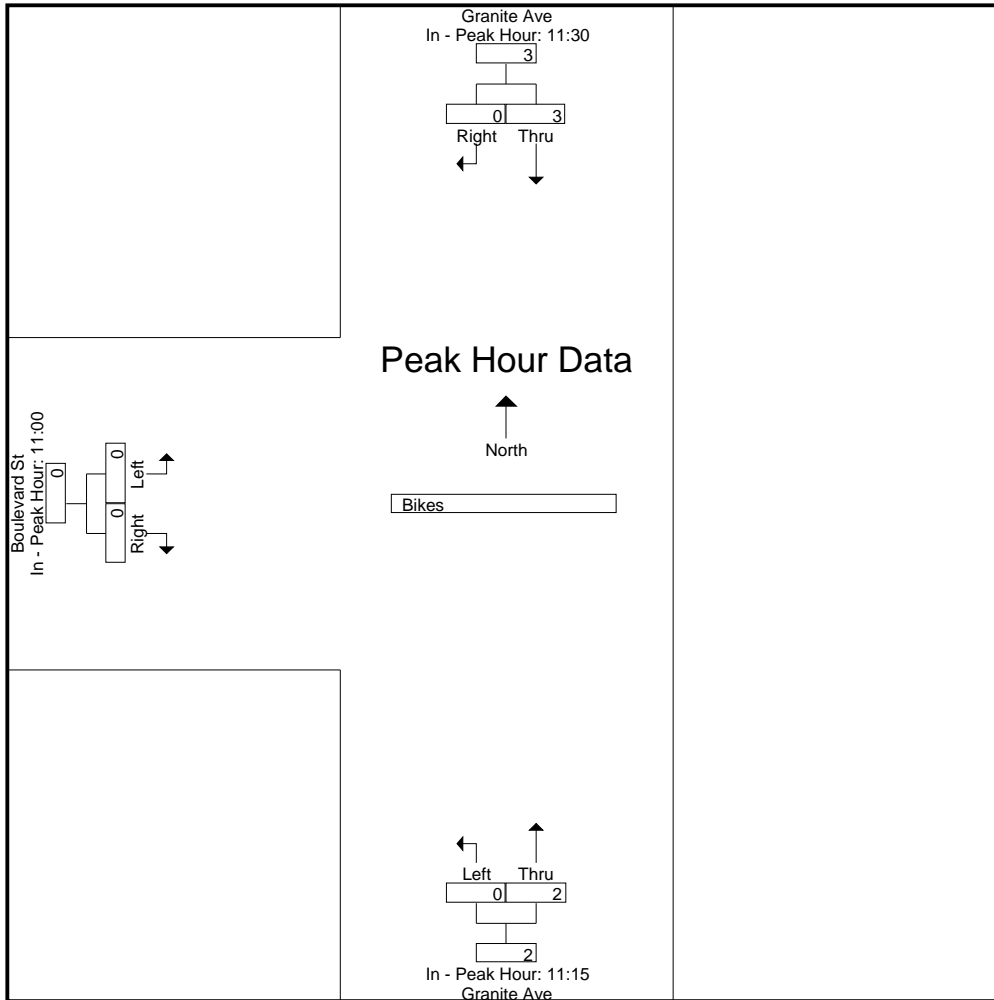
Start Time	Granite Ave From North		Granite Ave From South		Boulevard St From West		Int. Total
	Thru	Right	Left	Thru	Left	Right	
11:00	0	0	0	0	0	0	0
11:15	0	0	0	0	0	0	0
11:30	0	0	0	0	0	0	0
11:45	0	0	0	0	0	0	0
Total	0	0	0	0	0	0	0
12:00	0	0	0	2	0	0	2
12:15	3	0	0	0	0	0	3
12:30	0	0	0	0	0	0	0
12:45	0	0	0	0	0	0	0
Total	3	0	0	2	0	0	5
13:00	0	0	0	0	0	0	0
13:15	0	0	0	0	0	0	0
13:30	0	0	0	0	0	0	0
13:45	0	0	0	0	0	0	0
Total	0	0	0	0	0	0	0
Grand Total	3	0	0	2	0	0	5
Apprch %	100	0	0	100	0	0	
Total %	60	0	0	40	0	0	

Start Time	Granite Ave From North			Granite Ave From South			Boulevard St From West			Int. Total
	Thru	Right	App. Total	Left	Thru	App. Total	Left	Right	App. Total	
Peak Hour Analysis From 11:00 to 13:45 - Peak 1 of 1										
Peak Hour for Entire Intersection Begins at 11:30										
11:30	0	0	0	0	0	0	0	0	0	0
11:45	0	0	0	0	0	0	0	0	0	0
12:00	0	0	0	0	2	2	0	0	0	2
12:15	3	0	3	0	0	0	0	0	0	3
Total Volume	3	0	3	0	2	2	0	0	0	5
% App. Total	100	0	100	0	100	100	0	0	0	100
PHF	.250	.000	.250	.000	.250	.250	.000	.000	.000	.417



Peak Hour Analysis From 11:00 to 13:45 - Peak 1 of 1
Peak Hour for Each Approach Begins at:

	11:30			11:15			11:00		
+0 mins.	0	0	0	0	0	0	0	0	0
+15 mins.	0	0	0	0	0	0	0	0	0
+30 mins.	0	0	0	0	0	0	0	0	0
+45 mins.	3	0	3	0	2	2	0	0	0
Total Volume	3	0	3	0	2	2	0	0	0
% App. Total	100	0		0	100		0	0	
PHF	.250	.000	.250	.000	.250	.250	.000	.000	.000



Accurate Counts
978-664-2565

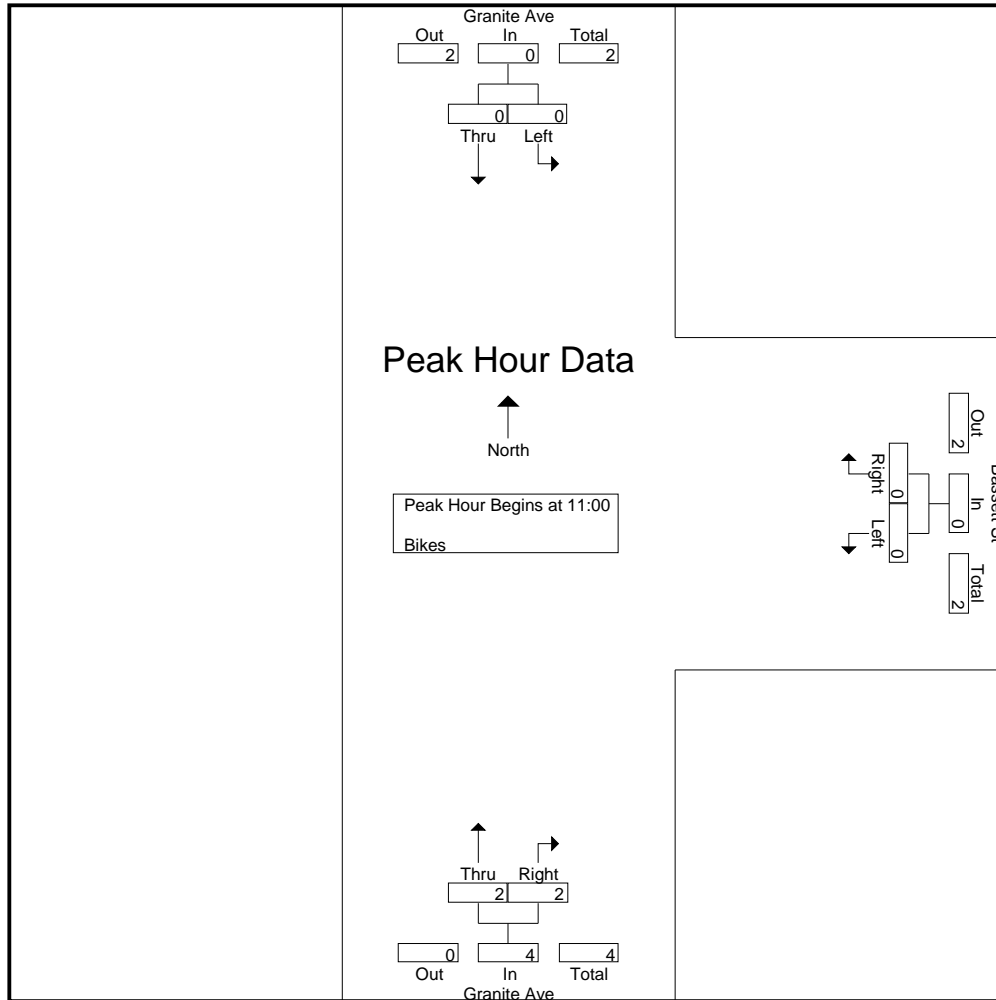
N/S Street : Granite Avenue
E/W Street: Bassett Street
City/State : Milton, MA
Weather : Clear

File Name : 53000A11
Site Code : 53000011
Start Date : 6/19/2010
Page No : 1

Groups Printed- Bikes

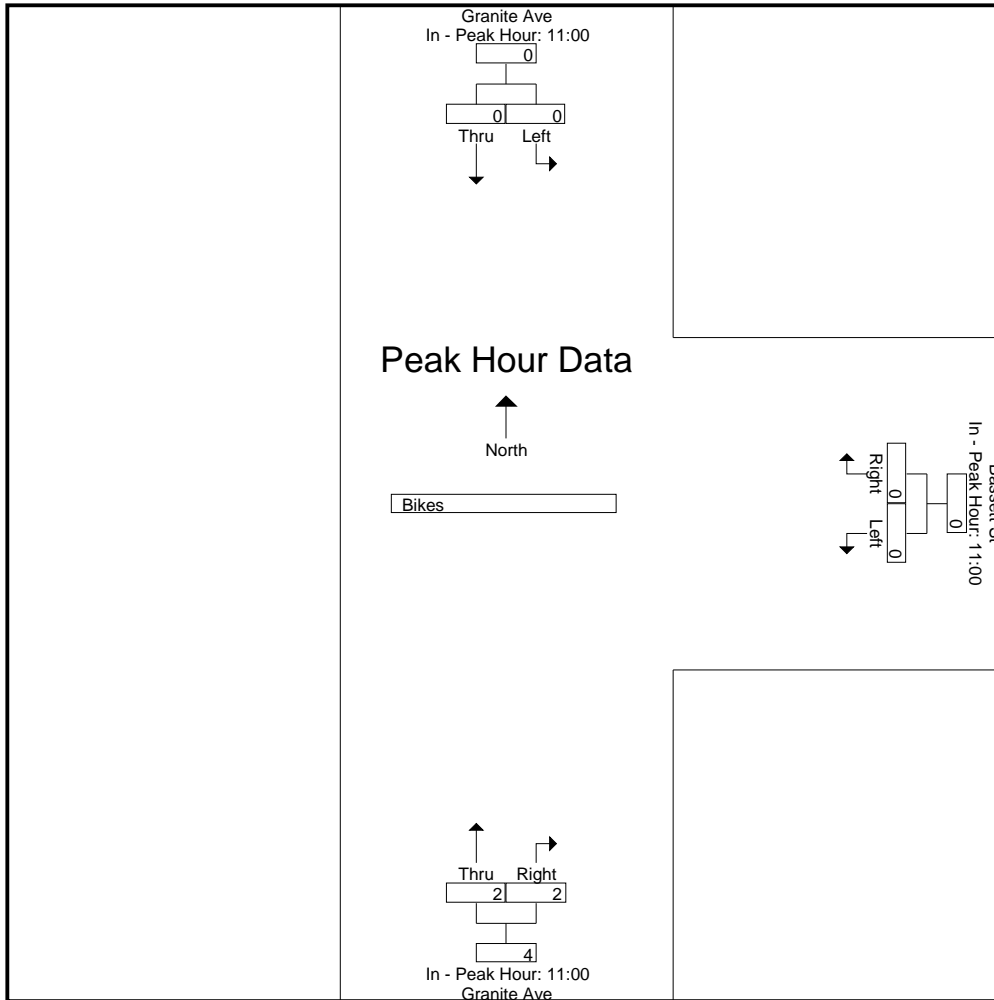
Start Time	Granite Ave From North		Bassett St From East		Granite Ave From South		Int. Total
	Left	Thru	Left	Right	Thru	Right	
11:00	0	0	0	0	0	0	0
11:15	0	0	0	0	1	0	1
11:30	0	0	0	0	1	0	1
11:45	0	0	0	0	0	2	2
Total	0	0	0	0	2	2	4
12:00	0	0	0	0	0	0	0
12:15	0	0	0	0	0	0	0
12:30	0	0	0	0	1	0	1
12:45	0	0	0	0	2	0	2
Total	0	0	0	0	3	0	3
13:00	0	0	0	0	0	0	0
13:15	0	0	0	0	0	0	0
13:30	0	0	0	0	0	0	0
13:45	0	0	0	0	0	0	0
Total	0	0	0	0	0	0	0
Grand Total	0	0	0	0	5	2	7
Apprch %	0	0	0	0	71.4	28.6	
Total %	0	0	0	0	71.4	28.6	

Start Time	Granite Ave From North			Bassett St From East			Granite Ave From South			Int. Total
	Left	Thru	App. Total	Left	Right	App. Total	Thru	Right	App. Total	
Peak Hour Analysis From 11:00 to 13:45 - Peak 1 of 1										
Peak Hour for Entire Intersection Begins at 11:00										
11:00	0	0	0	0	0	0	0	0	0	0
11:15	0	0	0	0	0	0	1	0	1	1
11:30	0	0	0	0	0	0	1	0	1	1
11:45	0	0	0	0	0	0	0	2	2	2
Total Volume	0	0	0	0	0	0	2	2	4	4
% App. Total	0	0	0	0	0	0	50	50	50	50
PHF	.000	.000	.000	.000	.000	.000	.500	.250	.500	.500



Peak Hour Analysis From 11:00 to 13:45 - Peak 1 of 1
 Peak Hour for Each Approach Begins at:

	11:00			11:00			11:00		
+0 mins.	0	0	0	0	0	0	0	0	0
+15 mins.	0	0	0	0	0	0	1	0	1
+30 mins.	0	0	0	0	0	0	1	0	1
+45 mins.	0	0	0	0	0	0	0	2	2
Total Volume	0	0	0	0	0	0	2	2	4
% App. Total	0	0	0	0	0	0	50	50	
PHF	.000	.000	.000	.000	.000	.000	.500	.250	.500



Accurate Counts
978-664-2565

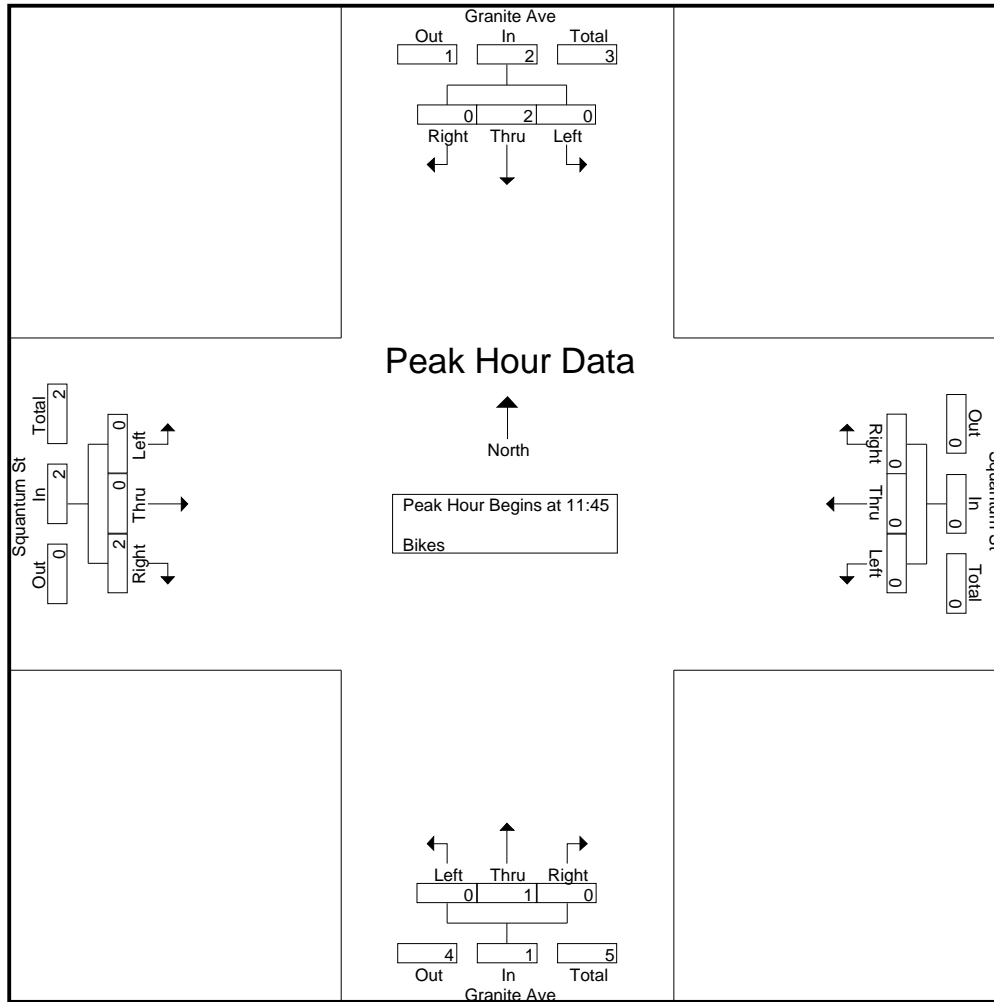
File Name : 53000a12
Site Code : 53000012
Start Date : 6/19/2010
Page No : 1

N/S Street : Granite Avenue
E/W Street: Squantum Street
City/State : Milton, MA
Weather : Clear

Groups Printed- Bikes

Start Time	Granite Ave From North			Squantum St From East			Granite Ave From South			Squantum St From West			Int. Total
	Left	Thru	Right	Left	Thru	Right	Left	Thru	Right	Left	Thru	Right	
11:00	0	0	0	0	0	1	0	0	0	0	0	0	1
11:15	0	0	0	0	0	0	0	0	0	0	0	0	0
11:30	0	0	0	0	0	0	0	0	0	0	0	0	0
11:45	0	2	0	0	0	0	0	0	0	0	0	0	2
Total	0	2	0	0	0	1	0	0	0	0	0	0	3
12:00	0	0	0	0	0	0	0	0	0	0	0	1	1
12:15	0	0	0	0	0	0	0	1	0	0	0	0	1
12:30	0	0	0	0	0	0	0	0	0	0	0	1	1
12:45	0	0	0	0	1	0	0	0	0	0	1	0	2
Total	0	0	0	0	1	0	0	1	0	0	1	2	5
13:00	0	0	0	0	0	0	0	0	0	0	0	0	0
13:15	0	0	0	0	1	0	0	0	0	0	0	0	1
13:30	0	0	0	0	1	0	0	0	0	0	0	0	1
13:45	0	0	0	0	0	0	0	0	0	0	0	0	0
Total	0	0	0	0	2	0	0	0	0	0	0	0	2
Grand Total	0	2	0	0	3	1	0	1	0	0	1	2	10
Apprch %	0	100	0	0	75	25	0	100	0	0	33.3	66.7	
Total %	0	20	0	0	30	10	0	10	0	0	10	20	

Start Time	Granite Ave From North				Squantum St From East				Granite Ave From South				Squantum St From West				Int. Total
	Left	Thru	Right	App. Total	Left	Thru	Right	App. Total	Left	Thru	Right	App. Total	Left	Thru	Right	App. Total	
Peak Hour Analysis From 11:00 to 13:45 - Peak 1 of 1																	
Peak Hour for Entire Intersection Begins at 11:45																	
11:45	0	2	0	2	0	0	0	0	0	0	0	0	0	0	0	0	2
12:00	0	0	0	0	0	0	0	0	0	0	0	0	0	0	1	1	1
12:15	0	0	0	0	0	0	0	0	0	1	0	1	0	0	0	0	1
12:30	0	0	0	0	0	0	0	0	0	0	0	0	0	0	1	1	1
Total Volume	0	2	0	2	0	0	0	0	0	1	0	1	0	0	2	2	5
% App. Total	0	100	0		0	0	0		0	100	0		0	0	100		
PHF	.000	.250	.000	.250	.000	.000	.000	.000	.000	.250	.000	.250	.000	.000	.500	.500	.625



Peak Hour Analysis From 11:00 to 13:45 - Peak 1 of 1
Peak Hour for Each Approach Begins at:

	11:00				12:45				11:30				12:00			
+0 mins.	0	0	0	0	0	1	0	1	0	0	0	0	0	0	1	1
+15 mins.	0	0	0	0	0	0	0	0	0	0	0	0	0	0	0	0
+30 mins.	0	0	0	0	0	1	0	1	0	0	0	0	0	0	1	1
+45 mins.	0	2	0	2	0	1	0	1	0	1	0	1	0	1	0	1
Total Volume	0	2	0	2	0	3	0	3	0	1	0	1	0	1	2	3
% App. Total	0	100	0	0	0	100	0	0	0	100	0	0	0	33.3	66.7	0
PHF	.000	.250	.000	.250	.000	.750	.000	.750	.000	.250	.000	.250	.000	.250	.500	.750

