

# Accurate Counts

## 978-664-2565

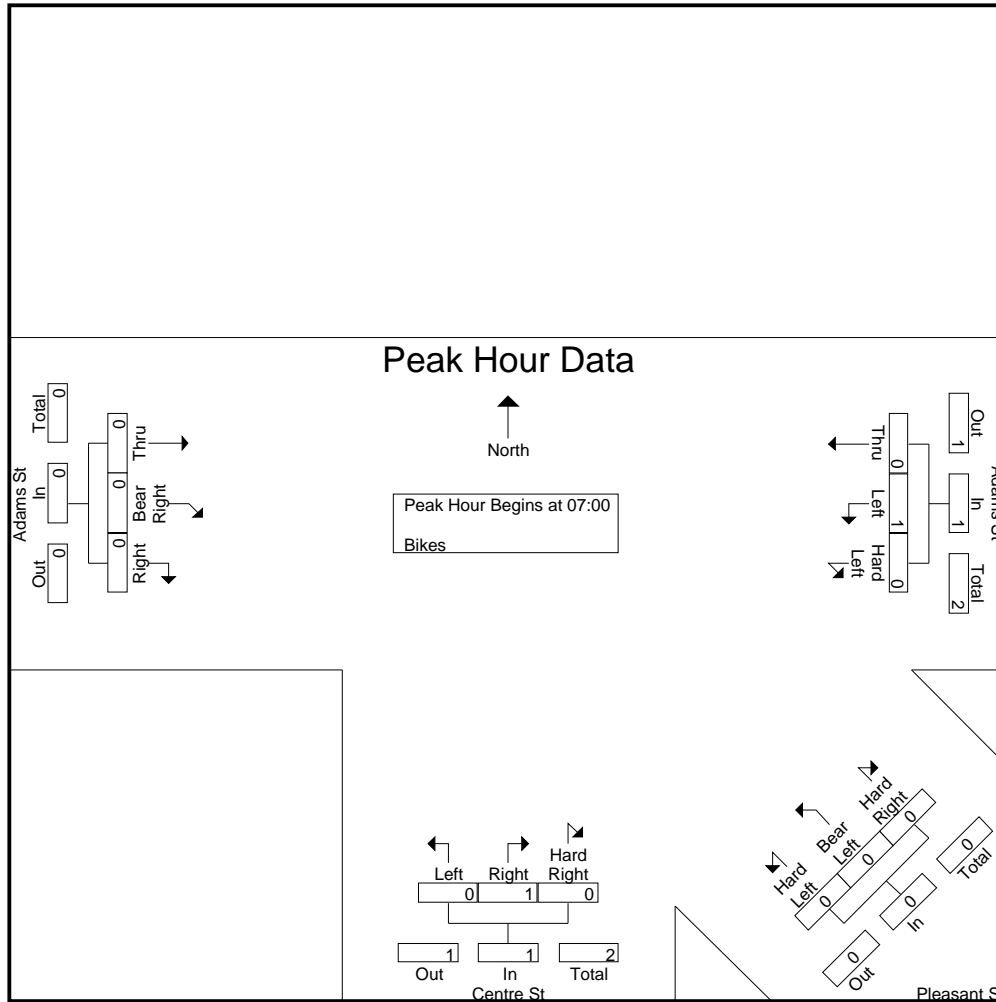
File Name : 53000001  
 Site Code : 53000001  
 Start Date : 6/15/2010  
 Page No : 1

N/S Street : Centre St / Pleasant St  
 E/W Street: Adams Street  
 City/State : Milton, MA  
 Weather : Clear

### Groups Printed- Bikes

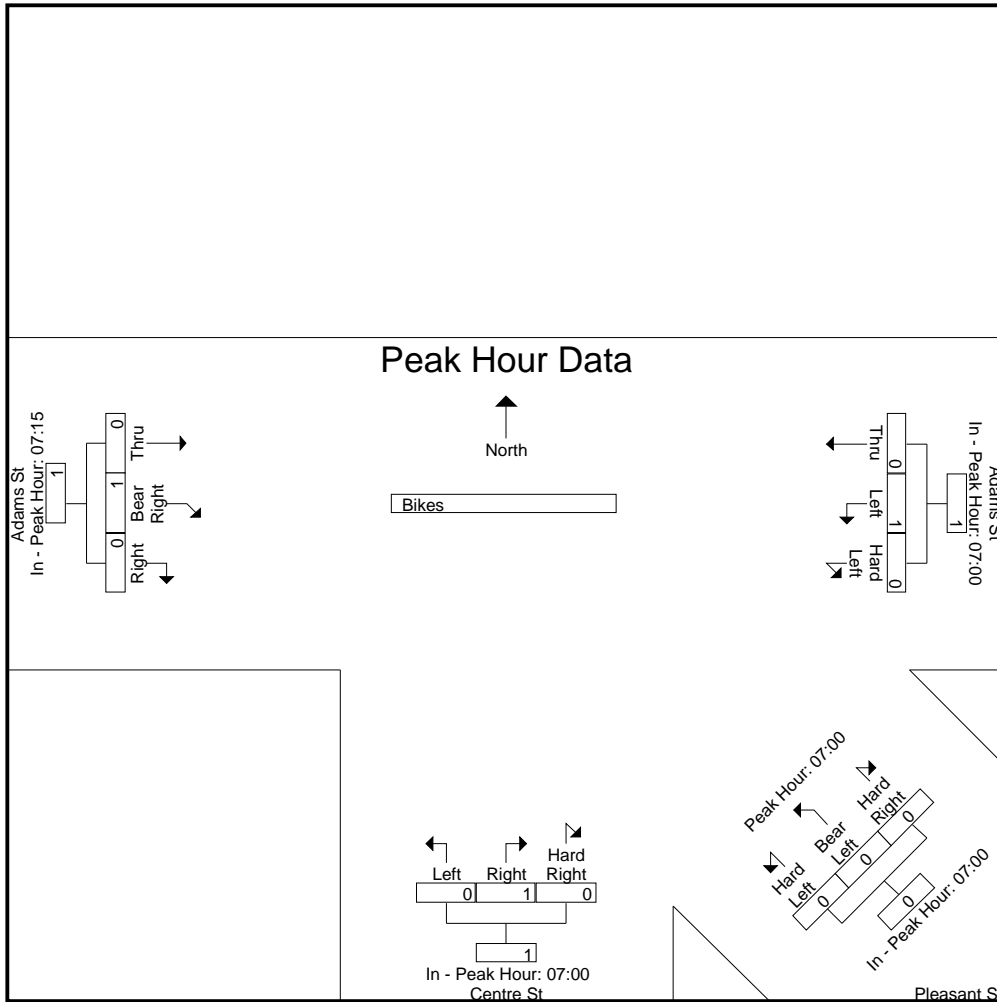
Start Time	Adams St From East			Pleasant St From Southeast			Centre St From South			Adams St From West			Int. Total
	Hard Left	Left	Thru	Hard Left	Bear Left	Hard Right	Left	Right	Hard Right	Thru	Bear Right	Right	
07:00	0	0	0	0	0	0	0	1	0	0	0	0	1
07:15	0	0	0	0	0	0	0	0	0	0	0	0	0
07:30	0	1	0	0	0	0	0	0	0	0	0	0	1
07:45	0	0	0	0	0	0	0	0	0	0	0	0	0
<b>Total</b>	<b>0</b>	<b>1</b>	<b>0</b>	<b>0</b>	<b>0</b>	<b>0</b>	<b>0</b>	<b>1</b>	<b>0</b>	<b>0</b>	<b>0</b>	<b>0</b>	<b>2</b>
08:00	0	0	0	0	0	0	0	0	0	0	1	0	1
08:15	0	0	0	0	0	0	0	0	0	0	0	0	0
08:30	0	0	0	0	0	0	0	0	0	0	0	0	0
08:45	0	0	0	0	0	0	0	0	0	0	0	0	0
<b>Total</b>	<b>0</b>	<b>0</b>	<b>0</b>	<b>0</b>	<b>0</b>	<b>0</b>	<b>0</b>	<b>0</b>	<b>0</b>	<b>0</b>	<b>1</b>	<b>0</b>	<b>1</b>
<b>Grand Total</b>	<b>0</b>	<b>1</b>	<b>0</b>	<b>0</b>	<b>0</b>	<b>0</b>	<b>0</b>	<b>1</b>	<b>0</b>	<b>0</b>	<b>1</b>	<b>0</b>	<b>3</b>
Apprch %	0	100	0	0	0	0	0	100	0	0	100	0	
Total %	0	33.3	0	0	0	0	0	33.3	0	0	33.3	0	

Start Time	Adams St From East				Pleasant St From Southeast				Centre St From South				Adams St From West				Int. Total
	Hard Left	Left	Thru	App. Total	Hard Left	Bear Left	Hard Right	App. Total	Left	Right	Hard Right	App. Total	Thru	Bear Right	Right	App. Total	
Peak Hour Analysis From 07:00 to 08:45 - Peak 1 of 1																	
Peak Hour for Entire Intersection Begins at 07:00																	
07:00	0	0	0	0	0	0	0	0	0	1	0	1	0	0	0	0	1
07:15	0	0	0	0	0	0	0	0	0	0	0	0	0	0	0	0	0
07:30	0	1	0	1	0	0	0	0	0	0	0	0	0	0	0	0	1
07:45	0	0	0	0	0	0	0	0	0	0	0	0	0	0	0	0	0
<b>Total Volume</b>	<b>0</b>	<b>1</b>	<b>0</b>	<b>1</b>	<b>0</b>	<b>0</b>	<b>0</b>	<b>0</b>	<b>0</b>	<b>1</b>	<b>0</b>	<b>1</b>	<b>0</b>	<b>0</b>	<b>0</b>	<b>0</b>	<b>2</b>
<b>% App. Total</b>	<b>0</b>	<b>100</b>	<b>0</b>	<b>100</b>	<b>0</b>	<b>0</b>	<b>0</b>	<b>0</b>	<b>0</b>	<b>100</b>	<b>0</b>	<b>100</b>	<b>0</b>	<b>0</b>	<b>0</b>	<b>0</b>	<b>100</b>
PHF	.000	.250	.000	.250	.000	.000	.000	.000	.000	.250	.000	.250	.000	.000	.000	.000	.500



Peak Hour Analysis From 07:00 to 08:45 - Peak 1 of 1  
Peak Hour for Each Approach Begins at:

	07:00				07:00				07:00				07:15			
+0 mins.	0	0	0	0	0	0	0	0	0	1	0	1	0	0	0	0
+15 mins.	0	0	0	0	0	0	0	0	0	0	0	0	0	0	0	0
+30 mins.	0	1	0	1	0	0	0	0	0	0	0	0	0	0	0	0
+45 mins.	0	0	0	0	0	0	0	0	0	0	0	0	0	1	0	1
Total Volume	0	1	0	1	0	0	0	0	0	1	0	1	0	1	0	1
% App. Total	0	100	0		0	0	0		0	100	0		0	100	0	
PHF	.000	.250	.000	.250	.000	.000	.000	.000	.000	.250	.000	.250	.000	.250	.000	.250



**Accurate Counts**  
**978-664-2565**

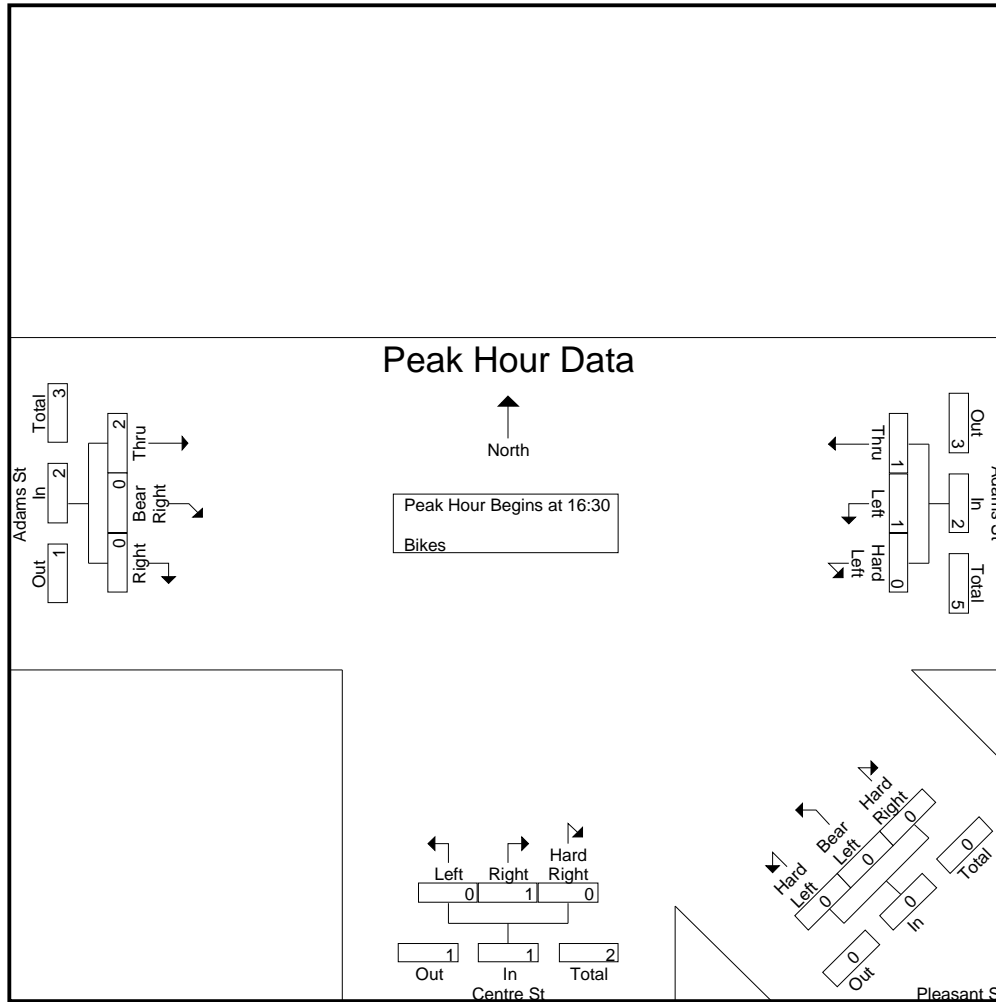
N/S Street : Centre St / Pleasant St  
E/W Street: Adams Street  
City/State : Milton, MA  
Weather : Clear

File Name : 53000001  
Site Code : 53000001  
Start Date : 6/15/2010  
Page No : 1

Groups Printed- Bikes

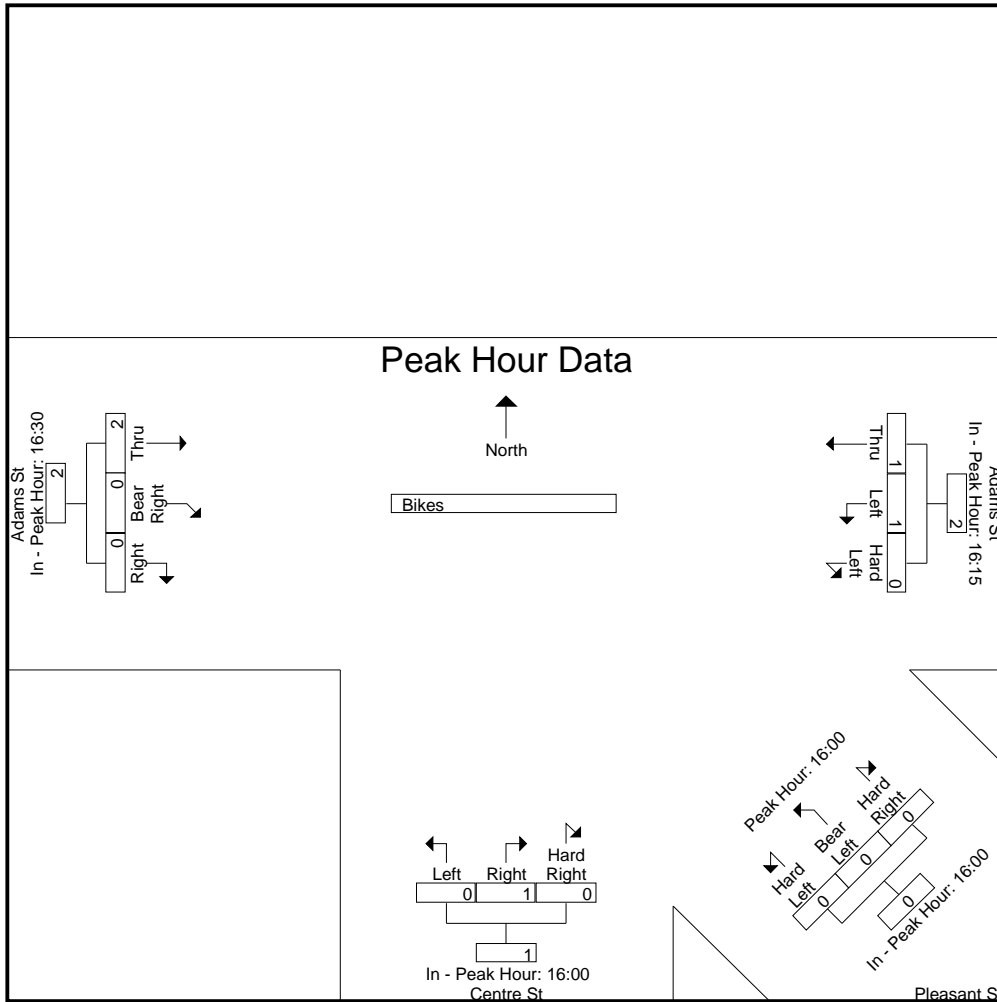
Start Time	Adams St From East			Pleasant St From Southeast			Centre St From South			Adams St From West			Int. Total
	Hard Left	Left	Thru	Hard Left	Bear Left	Hard Right	Left	Right	Hard Right	Thru	Bear Right	Right	
16:00	0	0	0	0	0	0	0	1	0	0	0	0	1
16:15	0	0	0	0	0	0	0	0	0	0	0	0	0
16:30	0	0	0	0	0	0	0	0	0	1	0	0	1
16:45	0	0	0	0	0	0	0	0	0	0	0	0	0
Total	0	0	0	0	0	0	0	1	0	1	0	0	2
17:00	0	1	1	0	0	0	0	1	0	0	0	0	3
17:15	0	0	0	0	0	0	0	0	0	1	0	0	1
17:30	0	0	0	0	0	0	0	0	0	0	0	0	0
17:45	0	0	0	0	0	0	0	0	0	0	0	0	0
Total	0	1	1	0	0	0	0	1	0	1	0	0	4
Grand Total	0	1	1	0	0	0	0	2	0	2	0	0	6
Apprch %	0	50	50	0	0	0	0	100	0	100	0	0	
Total %	0	16.7	16.7	0	0	0	0	33.3	0	33.3	0	0	

Start Time	Adams St From East				Pleasant St From Southeast				Centre St From South				Adams St From West				Int. Total
	Hard Left	Left	Thru	App. Total	Hard Left	Bear Left	Hard Right	App. Total	Left	Right	Hard Right	App. Total	Thru	Bear Right	Right	App. Total	
Peak Hour Analysis From 16:00 to 17:45 - Peak 1 of 1																	
Peak Hour for Entire Intersection Begins at 16:30																	
16:30	0	0	0	0	0	0	0	0	0	0	0	0	1	0	0	1	
16:45	0	0	0	0	0	0	0	0	0	0	0	0	0	0	0	0	
17:00	0	1	1	2	0	0	0	0	0	1	0	1	0	0	0	3	
17:15	0	0	0	0	0	0	0	0	0	0	0	0	1	0	0	1	
Total Volume	0	1	1	2	0	0	0	0	0	1	0	1	2	0	0	5	
% App. Total	0	50	50		0	0	0		0	100	0		100	0	0		
PHF	.000	.250	.250	.250	.000	.000	.000	.000	.000	.250	.000	.250	.500	.000	.000	.417	



Peak Hour Analysis From 16:00 to 17:45 - Peak 1 of 1  
Peak Hour for Each Approach Begins at:

	16:15				16:00				16:00				16:30			
+0 mins.	0	0	0	0	0	0	0	0	0	1	0	1	1	0	0	1
+15 mins.	0	0	0	0	0	0	0	0	0	0	0	0	0	0	0	0
+30 mins.	0	0	0	0	0	0	0	0	0	0	0	0	0	0	0	0
+45 mins.	0	1	1	2	0	0	0	0	0	0	0	0	1	0	0	1
Total Volume	0	1	1	2	0	0	0	0	0	1	0	1	2	0	0	2
% App. Total	0	50	50		0	0	0		0	100	0		100	0	0	
PHF	.000	.250	.250	.250	.000	.000	.000	.000	.000	.250	.000	.250	.500	.000	.000	.500



# Accurate Counts

## 978-664-2565

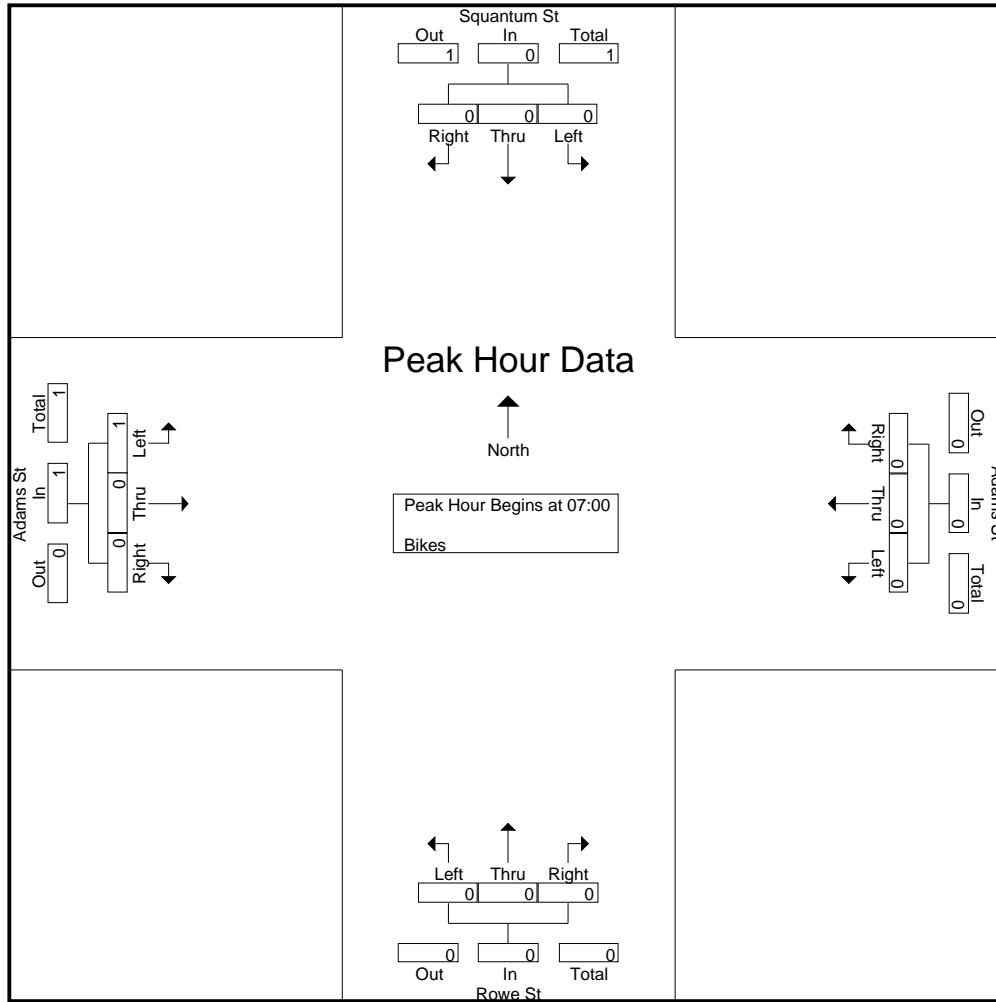
File Name : 53000002  
 Site Code : 53000002  
 Start Date : 6/15/2010  
 Page No : 1

N/S Street : Squantum Street  
 E/W Street: Adams Street  
 City/State : Milton, MA  
 Weather : Clear

### Groups Printed- Bikes

Start Time	Squantum St From North			Adams St From East			Rowe St From South			Adams St From West			Int. Total
	Left	Thru	Right	Left	Thru	Right	Left	Thru	Right	Left	Thru	Right	
07:00	0	0	0	0	0	0	0	0	0	1	0	0	1
07:15	0	0	0	0	0	0	0	0	0	0	0	0	0
07:30	0	0	0	0	0	0	0	0	0	0	0	0	0
07:45	0	0	0	0	0	0	0	0	0	0	0	0	0
<b>Total</b>	0	0	0	0	0	0	0	0	0	1	0	0	1
08:00	0	0	0	0	0	0	0	0	0	0	0	0	0
08:15	0	0	0	0	0	0	0	0	0	0	0	0	0
08:30	0	0	0	0	0	0	0	0	0	0	0	0	0
08:45	0	0	0	0	0	0	0	0	0	0	1	0	1
<b>Total</b>	0	0	0	0	0	0	0	0	0	0	1	0	1
<b>Grand Total</b>	0	0	0	0	0	0	0	0	0	1	1	0	2
<b>Apprch %</b>	0	0	0	0	0	0	0	0	0	50	50	0	
<b>Total %</b>	0	0	0	0	0	0	0	0	0	50	50	0	

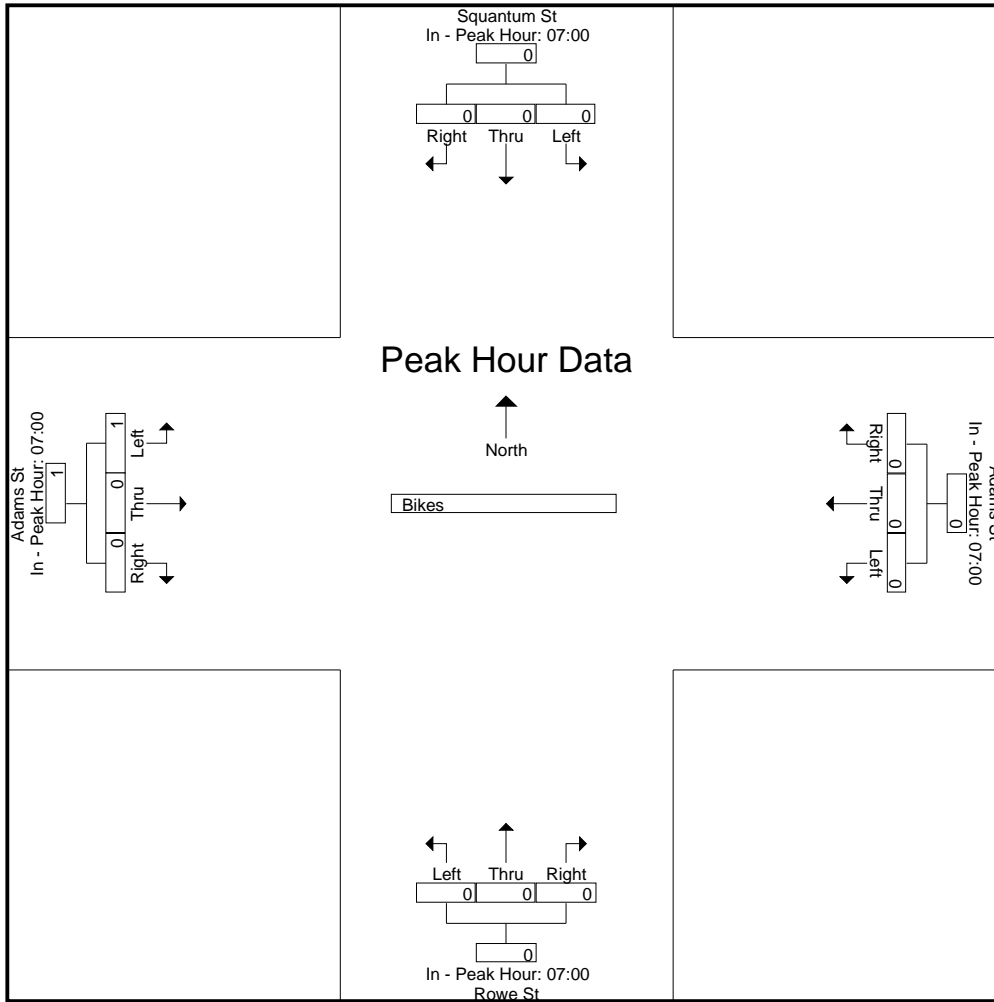
Start Time	Squantum St From North				Adams St From East				Rowe St From South				Adams St From West				Int. Total
	Left	Thru	Right	App. Total	Left	Thru	Right	App. Total	Left	Thru	Right	App. Total	Left	Thru	Right	App. Total	
Peak Hour Analysis From 07:00 to 08:45 - Peak 1 of 1																	
Peak Hour for Entire Intersection Begins at 07:00																	
07:00	0	0	0	0	0	0	0	0	0	0	0	0	0	1	0	0	1
07:15	0	0	0	0	0	0	0	0	0	0	0	0	0	0	0	0	0
07:30	0	0	0	0	0	0	0	0	0	0	0	0	0	0	0	0	0
07:45	0	0	0	0	0	0	0	0	0	0	0	0	0	0	0	0	0
<b>Total Volume</b>	0	0	0	0	0	0	0	0	0	0	0	0	0	1	0	0	1
<b>% App. Total</b>	0	0	0	0	0	0	0	0	0	0	0	0	0	100	0	0	
<b>PHF</b>	.000	.000	.000	.000	.000	.000	.000	.000	.000	.000	.000	.000	.000	.250	.000	.000	.250



Peak Hour Analysis From 07:00 to 08:45 - Peak 1 of 1  
Peak Hour for Each Approach Begins at:

	07:00				07:00				07:00				07:00			
+0 mins.	0	0	0	0	0	0	0	0	0	0	0	0	1	0	0	1
+15 mins.	0	0	0	0	0	0	0	0	0	0	0	0	0	0	0	0
+30 mins.	0	0	0	0	0	0	0	0	0	0	0	0	0	0	0	0
+45 mins.	0	0	0	0	0	0	0	0	0	0	0	0	0	0	0	0
Total Volume	0	0	0	0	0	0	0	0	0	0	0	0	1	0	0	1
% App. Total	0	0	0	0	0	0	0	0	0	0	0	0	100	0	0	0
PHF	.000	.000	.000	.000	.000	.000	.000	.000	.000	.000	.000	.000	.250	.000	.000	.250





# Accurate Counts

## 978-664-2565

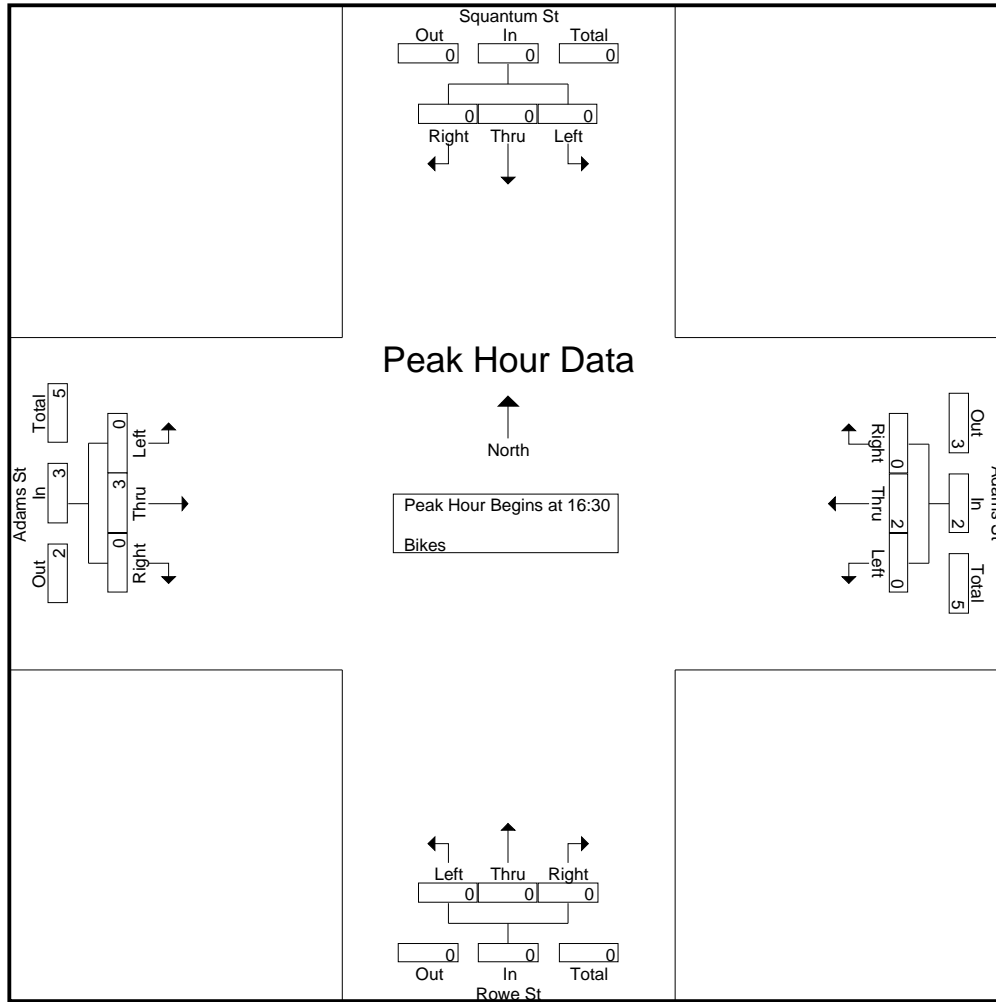
File Name : 53000002  
 Site Code : 53000002  
 Start Date : 6/15/2010  
 Page No : 1

N/S Street : Squantum Street  
 E/W Street: Adams Street  
 City/State : Milton, MA  
 Weather : Clear

### Groups Printed- Bikes

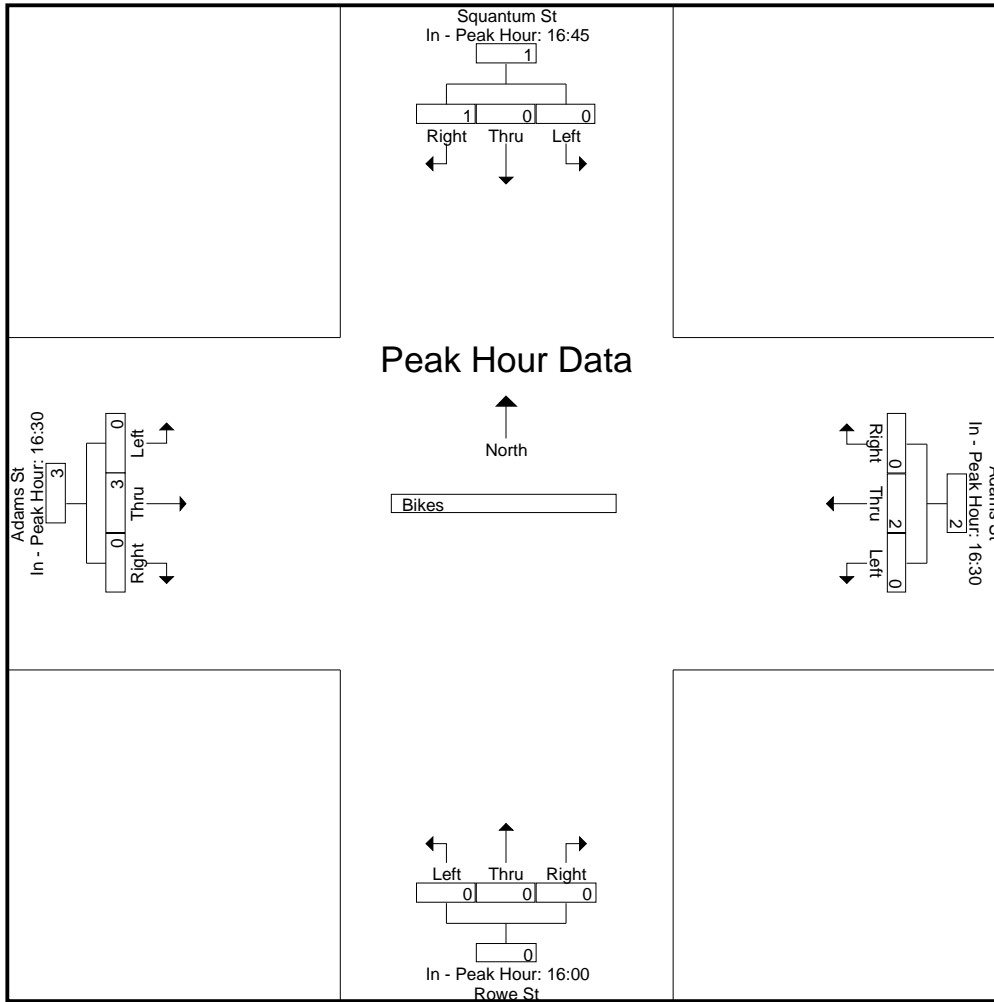
Start Time	Squantum St From North			Adams St From East			Rowe St From South			Adams St From West			Int. Total
	Left	Thru	Right	Left	Thru	Right	Left	Thru	Right	Left	Thru	Right	
16:00	0	0	0	0	0	0	0	0	0	1	0	0	1
16:15	0	0	0	0	0	0	0	0	0	0	0	0	0
16:30	0	0	0	0	1	0	0	0	0	0	1	0	2
16:45	0	0	0	0	0	0	0	0	0	0	0	0	0
<b>Total</b>	0	0	0	0	1	0	0	0	0	1	1	0	3
17:00	0	0	0	0	0	0	0	0	0	0	1	0	1
17:15	0	0	0	0	1	0	0	0	0	0	1	0	2
17:30	0	0	1	1	0	0	0	0	0	0	0	0	2
17:45	0	0	0	0	0	0	0	0	0	0	0	0	0
<b>Total</b>	0	0	1	1	1	0	0	0	0	0	2	0	5
<b>Grand Total</b>	0	0	1	1	2	0	0	0	0	1	3	0	8
Apprch %	0	0	100	33.3	66.7	0	0	0	0	25	75	0	
Total %	0	0	12.5	12.5	25	0	0	0	0	12.5	37.5	0	

Start Time	Squantum St From North				Adams St From East				Rowe St From South				Adams St From West				Int. Total
	Left	Thru	Right	App. Total	Left	Thru	Right	App. Total	Left	Thru	Right	App. Total	Left	Thru	Right	App. Total	
Peak Hour Analysis From 16:00 to 17:45 - Peak 1 of 1																	
Peak Hour for Entire Intersection Begins at 16:30																	
16:30	0	0	0	0	0	1	0	1	0	0	0	0	0	1	0	1	2
16:45	0	0	0	0	0	0	0	0	0	0	0	0	0	0	0	0	0
17:00	0	0	0	0	0	0	0	0	0	0	0	0	0	1	0	1	1
17:15	0	0	0	0	0	1	0	1	0	0	0	0	0	1	0	1	2
<b>Total Volume</b>	0	0	0	0	0	2	0	2	0	0	0	0	0	3	0	3	5
<b>% App. Total</b>	0	0	0		0	100	0		0	0	0		0	100	0		
<b>PHF</b>	.000	.000	.000	.000	.000	.500	.000	.500	.000	.000	.000	.000	.000	.750	.000	.750	.625



Peak Hour Analysis From 16:00 to 17:45 - Peak 1 of 1  
Peak Hour for Each Approach Begins at:

	16:45				16:30				16:00				16:30			
+0 mins.	0	0	0	0	0	1	0	1	0	0	0	0	0	1	0	1
+15 mins.	0	0	0	0	0	0	0	0	0	0	0	0	0	0	0	0
+30 mins.	0	0	0	0	0	0	0	0	0	0	0	0	0	1	0	1
+45 mins.	0	0	1	1	0	1	0	1	0	0	0	0	0	1	0	1
Total Volume	0	0	1	1	0	2	0	2	0	0	0	0	0	3	0	3
% App. Total	0	0	100		0	100	0		0	0	0		0	100	0	
PHF	.000	.000	.250	.250	.000	.500	.000	.500	.000	.000	.000	.000	.000	.750	.000	.750



**Accurate Counts**  
**978-664-2565**

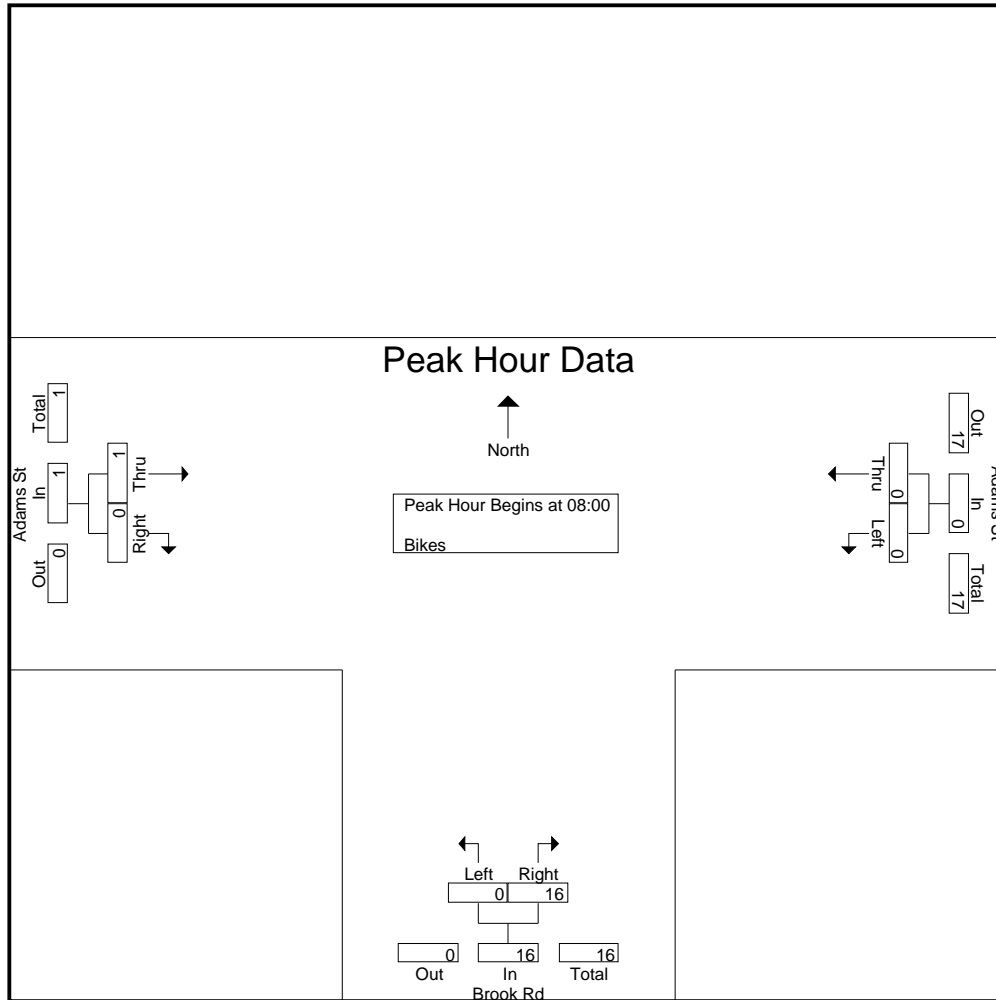
File Name : 53000003  
Site Code : 53000003  
Start Date : 6/15/2010  
Page No : 1

N/S Street : Brook Road  
E/W Street: Adams Street  
City/State : Milton, MA  
Weather : Clear

Groups Printed- Bikes

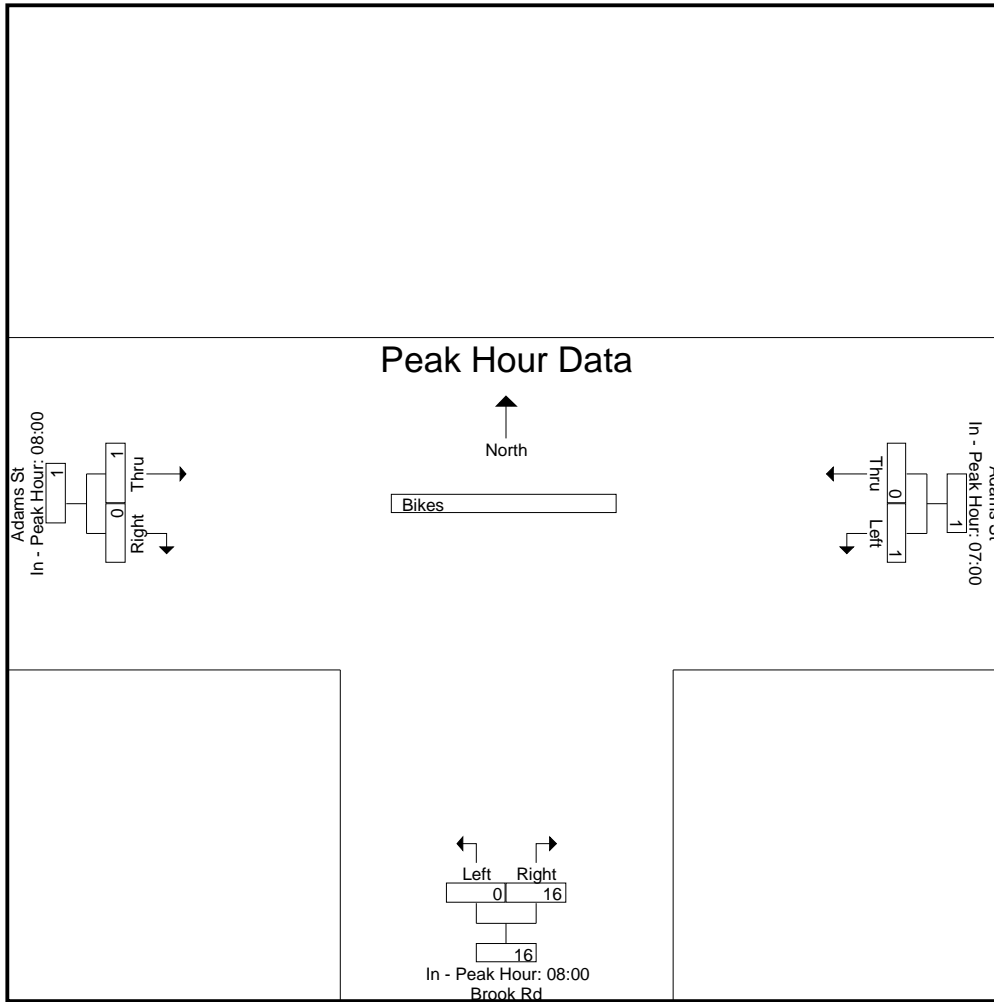
Start Time	Adams St From East		Brook Rd From South		Adams St From West		Int. Total
	Left	Thru	Left	Right	Thru	Right	
07:00	1	0	0	1	0	0	2
07:15	0	0	0	0	0	0	0
07:30	0	0	0	0	0	0	0
07:45	0	0	0	0	0	0	0
<b>Total</b>	<b>1</b>	<b>0</b>	<b>0</b>	<b>1</b>	<b>0</b>	<b>0</b>	<b>2</b>
08:00	0	0	0	14	0	0	14
08:15	0	0	0	1	0	0	1
08:30	0	0	0	0	0	0	0
08:45	0	0	0	1	1	0	2
<b>Total</b>	<b>0</b>	<b>0</b>	<b>0</b>	<b>16</b>	<b>1</b>	<b>0</b>	<b>17</b>
<b>Grand Total</b>	<b>1</b>	<b>0</b>	<b>0</b>	<b>17</b>	<b>1</b>	<b>0</b>	<b>19</b>
Apprch %	100	0	0	100	100	0	
Total %	5.3	0	0	89.5	5.3	0	

Start Time	Adams St From East			Brook Rd From South			Adams St From West			Int. Total
	Left	Thru	App. Total	Left	Right	App. Total	Thru	Right	App. Total	
Peak Hour Analysis From 07:00 to 08:45 - Peak 1 of 1										
Peak Hour for Entire Intersection Begins at 08:00										
08:00	0	0	0	0	14	14	0	0	0	14
08:15	0	0	0	0	1	1	0	0	0	1
08:30	0	0	0	0	0	0	0	0	0	0
08:45	0	0	0	0	1	1	1	0	1	2
<b>Total Volume</b>	<b>0</b>	<b>0</b>	<b>0</b>	<b>0</b>	<b>16</b>	<b>16</b>	<b>1</b>	<b>0</b>	<b>1</b>	<b>17</b>
<b>% App. Total</b>	<b>0</b>	<b>0</b>	<b>0</b>	<b>0</b>	<b>100</b>	<b>100</b>	<b>100</b>	<b>0</b>	<b>0</b>	<b>100</b>
PHF	.000	.000	.000	.000	.286	.286	.250	.000	.250	.304



Peak Hour Analysis From 07:00 to 08:45 - Peak 1 of 1  
Peak Hour for Each Approach Begins at:

	07:00			08:00			08:00		
+0 mins.	1	0	1	0	14	14	0	0	0
+15 mins.	0	0	0	0	1	1	0	0	0
+30 mins.	0	0	0	0	0	0	0	0	0
+45 mins.	0	0	0	0	1	1	1	0	1
Total Volume	1	0	1	0	16	16	1	0	1
% App. Total	100	0		0	100		100	0	
PHF	.250	.000	.250	.000	.286	.286	.250	.000	.250



# Accurate Counts

## 978-664-2565

N/S Street : Brook Road  
 E/W Street: Adams Street  
 City/State : Milton, MA  
 Weather : Clear

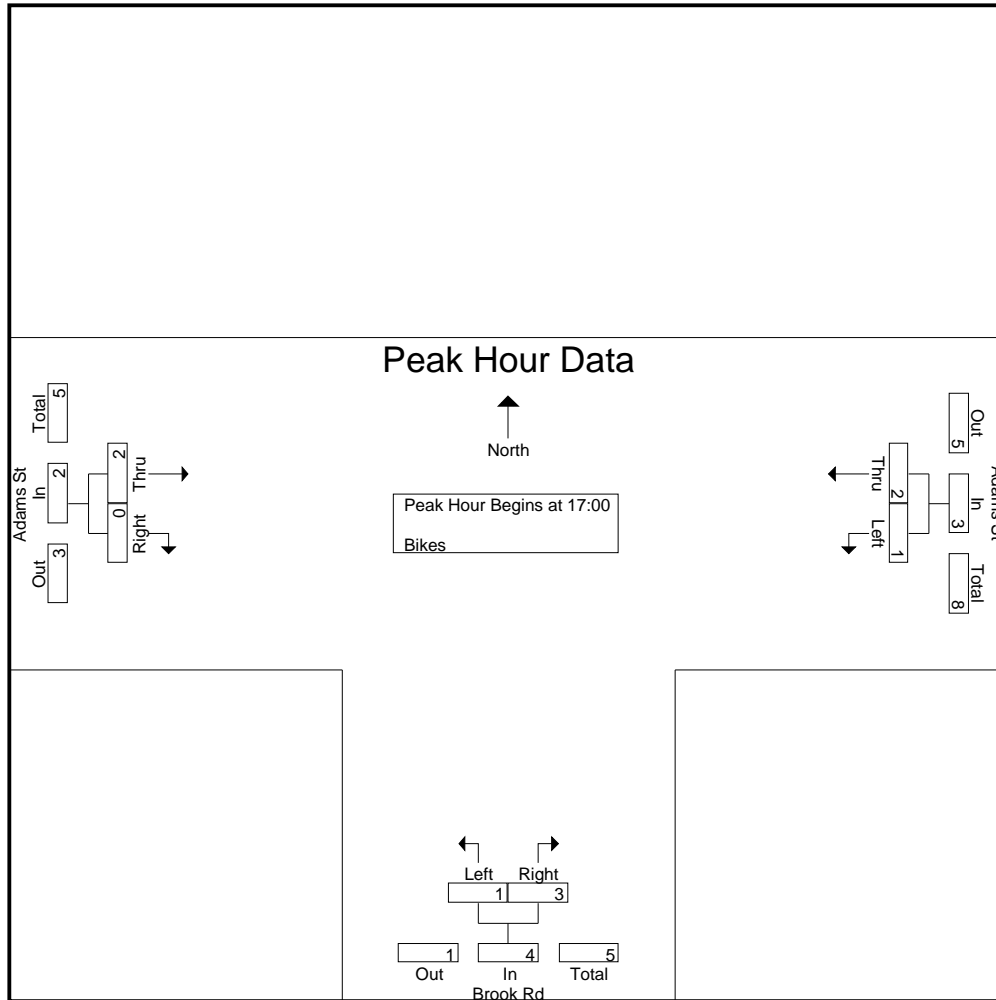
File Name : 53000003  
 Site Code : 53000003  
 Start Date : 6/15/2010  
 Page No : 1

### Groups Printed- Bikes

Start Time	Adams St From East		Brook Rd From South		Adams St From West		Int. Total
	Left	Thru	Left	Right	Thru	Right	
16:00	0	0	0	1	0	0	1
16:15	0	0	0	0	0	0	0
16:30	0	0	0	0	1	0	1
16:45	0	0	0	0	0	0	0
<b>Total</b>	<b>0</b>	<b>0</b>	<b>0</b>	<b>1</b>	<b>1</b>	<b>0</b>	<b>2</b>
17:00	0	0	1	0	1	0	2
17:15	0	0	0	1	1	0	2
17:30	1	2	0	1	0	0	4
17:45	0	0	0	1	0	0	1
<b>Total</b>	<b>1</b>	<b>2</b>	<b>1</b>	<b>3</b>	<b>2</b>	<b>0</b>	<b>9</b>
<b>Grand Total</b>	<b>1</b>	<b>2</b>	<b>1</b>	<b>4</b>	<b>3</b>	<b>0</b>	<b>11</b>
Apprch %	33.3	66.7	20	80	100	0	
Total %	9.1	18.2	9.1	36.4	27.3	0	

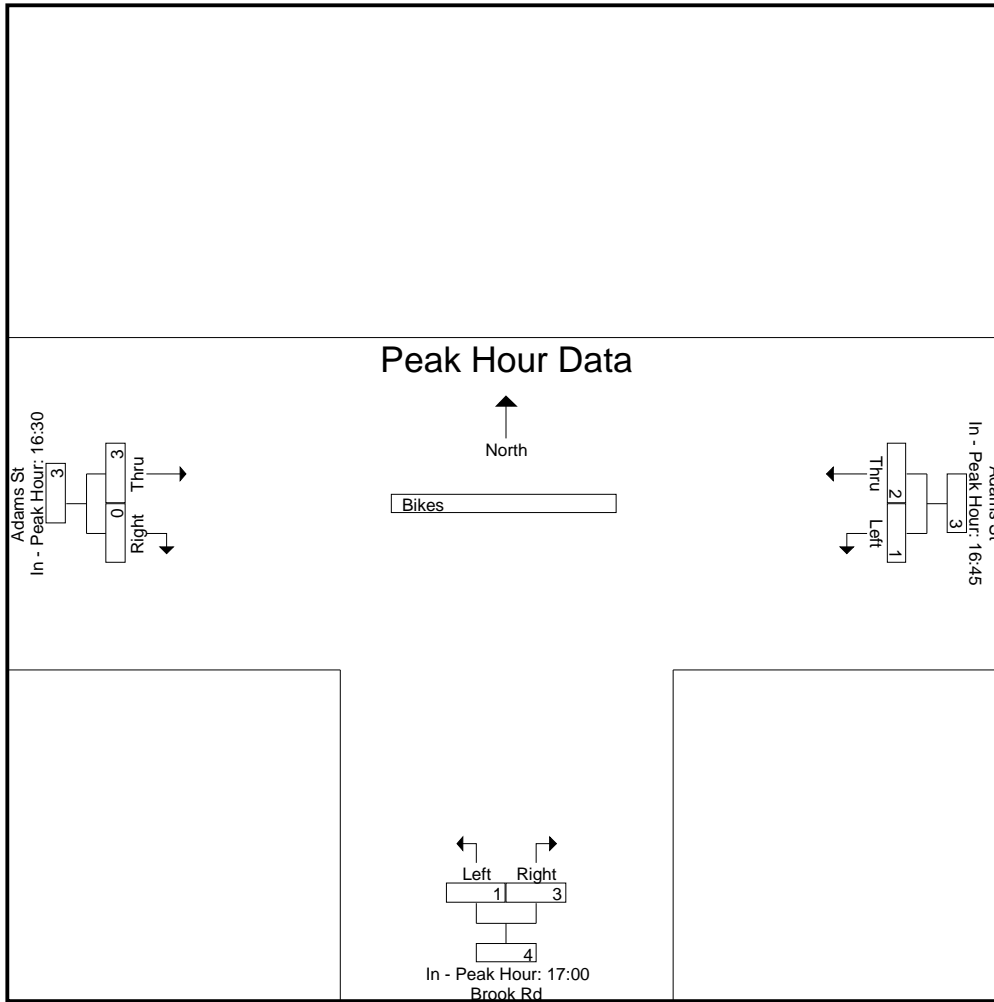
Start Time	Adams St From East			Brook Rd From South			Adams St From West			Int. Total
	Left	Thru	App. Total	Left	Right	App. Total	Thru	Right	App. Total	
Peak Hour Analysis From 16:00 to 17:45 - Peak 1 of 1										
Peak Hour for Entire Intersection Begins at 17:00										
17:00	0	0	0	1	0	1	1	0	1	2
17:15	0	0	0	0	1	1	1	0	1	2
17:30	1	2	3	0	1	1	0	0	0	4
17:45	0	0	0	0	1	1	0	0	0	1
<b>Total Volume</b>	<b>1</b>	<b>2</b>	<b>3</b>	<b>1</b>	<b>3</b>	<b>4</b>	<b>2</b>	<b>0</b>	<b>2</b>	<b>9</b>
<b>% App. Total</b>	<b>33.3</b>	<b>66.7</b>		<b>25</b>	<b>75</b>		<b>100</b>	<b>0</b>		
PHF	.250	.250	.250	.250	.750	1.000	.500	.000	.500	.563





Peak Hour Analysis From 16:00 to 17:45 - Peak 1 of 1  
Peak Hour for Each Approach Begins at:

	16:45			17:00			16:30		
+0 mins.	0	0	0	1	0	1	1	0	1
+15 mins.	0	0	0	0	1	1	0	0	0
+30 mins.	0	0	0	0	1	1	1	0	1
+45 mins.	1	2	3	0	1	1	1	0	1
Total Volume	1	2	3	1	3	4	3	0	3
% App. Total	33.3	66.7		25	75		100	0	
PHF	.250	.250	.250	.250	.750	1.000	.750	.000	.750



**Accurate Counts**  
**978-664-2565**

N/S Street : Granite Avenue West  
E/W Street: Adams Street  
City/State : Milton, MA  
Weather : Clear

File Name : 53000004  
Site Code : 53000004  
Start Date : 6/15/2010  
Page No : 1

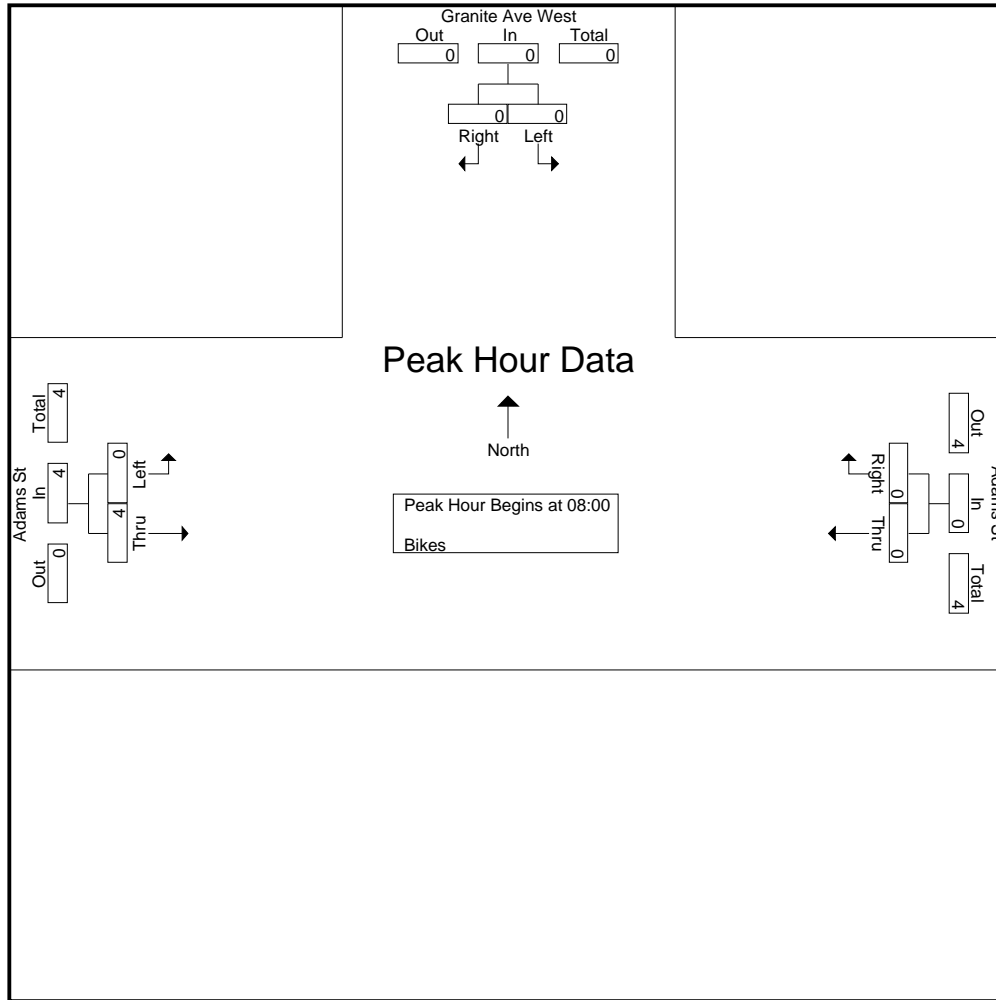
Groups Printed- Bikes

Start Time	Granite Ave West From North		Adams St From East		Adams St From West		Int. Total
	Left	Right	Thru	Right	Left	Thru	
07:00	0	1	0	0	0	1	2
07:15	0	0	0	0	0	0	0
07:30	0	0	0	0	0	0	0
07:45	0	0	0	0	0	0	0
<b>Total</b>	<b>0</b>	<b>1</b>	<b>0</b>	<b>0</b>	<b>0</b>	<b>1</b>	<b>2</b>
08:00	0	0	0	0	0	1	1
08:15	0	0	0	0	0	1	1
08:30	0	0	0	0	0	0	0
08:45	0	0	0	0	0	2	2
<b>Total</b>	<b>0</b>	<b>0</b>	<b>0</b>	<b>0</b>	<b>0</b>	<b>4</b>	<b>4</b>
<b>Grand Total</b>	<b>0</b>	<b>1</b>	<b>0</b>	<b>0</b>	<b>0</b>	<b>5</b>	<b>6</b>
Apprch %	0	100	0	0	0	100	
Total %	0	16.7	0	0	0	83.3	

Start Time	Granite Ave West From North			Adams St From East			Adams St From West			Int. Total
	Left	Right	App. Total	Thru	Right	App. Total	Left	Thru	App. Total	
08:00	0	0	0	0	0	0	0	1	1	1
08:15	0	0	0	0	0	0	0	1	1	1
08:30	0	0	0	0	0	0	0	0	0	0
08:45	0	0	0	0	0	0	0	2	2	2
<b>Total Volume</b>	<b>0</b>	<b>0</b>	<b>0</b>	<b>0</b>	<b>0</b>	<b>0</b>	<b>0</b>	<b>4</b>	<b>4</b>	<b>4</b>
<b>% App. Total</b>	<b>0</b>	<b>0</b>	<b>0</b>	<b>0</b>	<b>0</b>	<b>0</b>	<b>0</b>	<b>100</b>	<b>100</b>	<b>100</b>
PHF	.000	.000	.000	.000	.000	.000	.000	.500	.500	.500

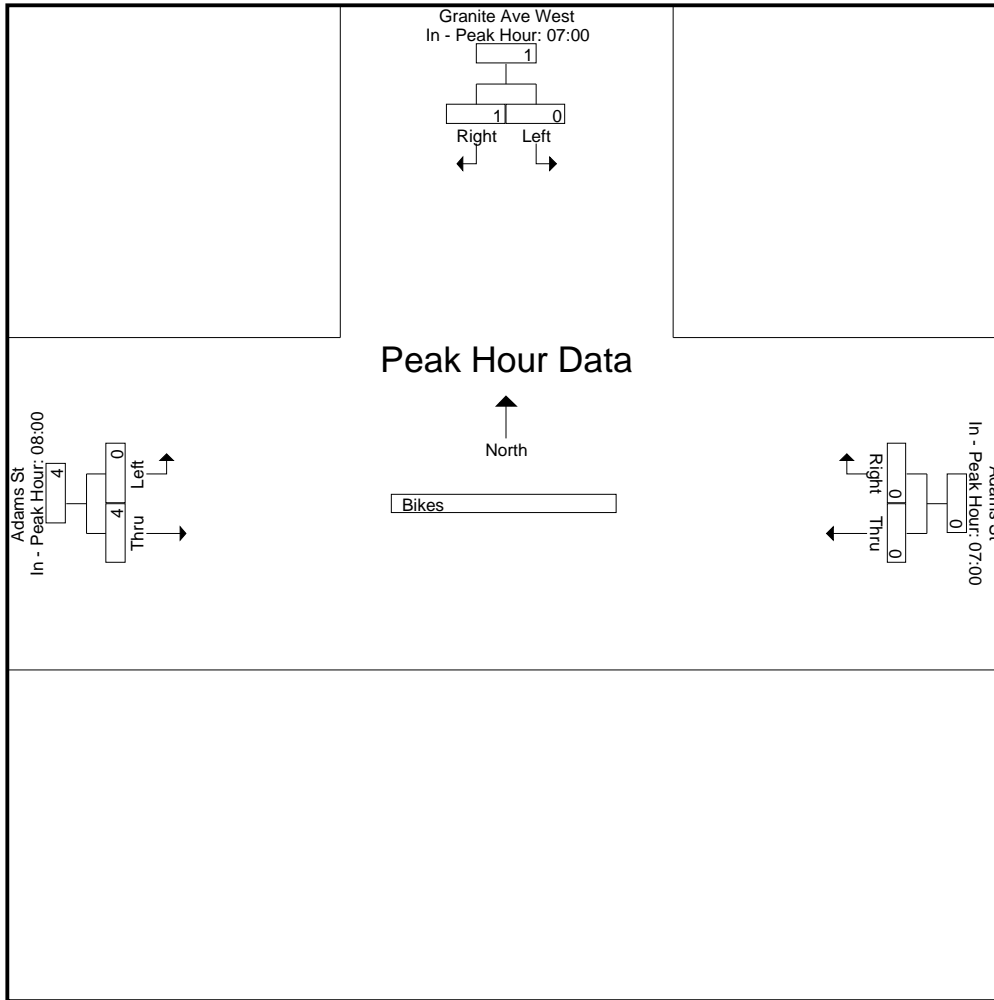
Peak Hour Analysis From 07:00 to 08:45 - Peak 1 of 1

Peak Hour for Entire Intersection Begins at 08:00



Peak Hour Analysis From 07:00 to 08:45 - Peak 1 of 1  
Peak Hour for Each Approach Begins at:

	07:00			07:00			08:00		
+0 mins.	0	1	1	0	0	0	0	1	1
+15 mins.	0	0	0	0	0	0	0	1	1
+30 mins.	0	0	0	0	0	0	0	0	0
+45 mins.	0	0	0	0	0	0	0	2	2
Total Volume	0	1	1	0	0	0	0	4	4
% App. Total	0	100		0	0		0	100	
PHF	.000	.250	.250	.000	.000	.000	.000	.500	.500



**Accurate Counts**  
**978-664-2565**

N/S Street : Granite Avenue West  
E/W Street: Adams Street  
City/State : Milton, MA  
Weather : Clear

File Name : 53000004  
Site Code : 53000004  
Start Date : 6/15/2010  
Page No : 1

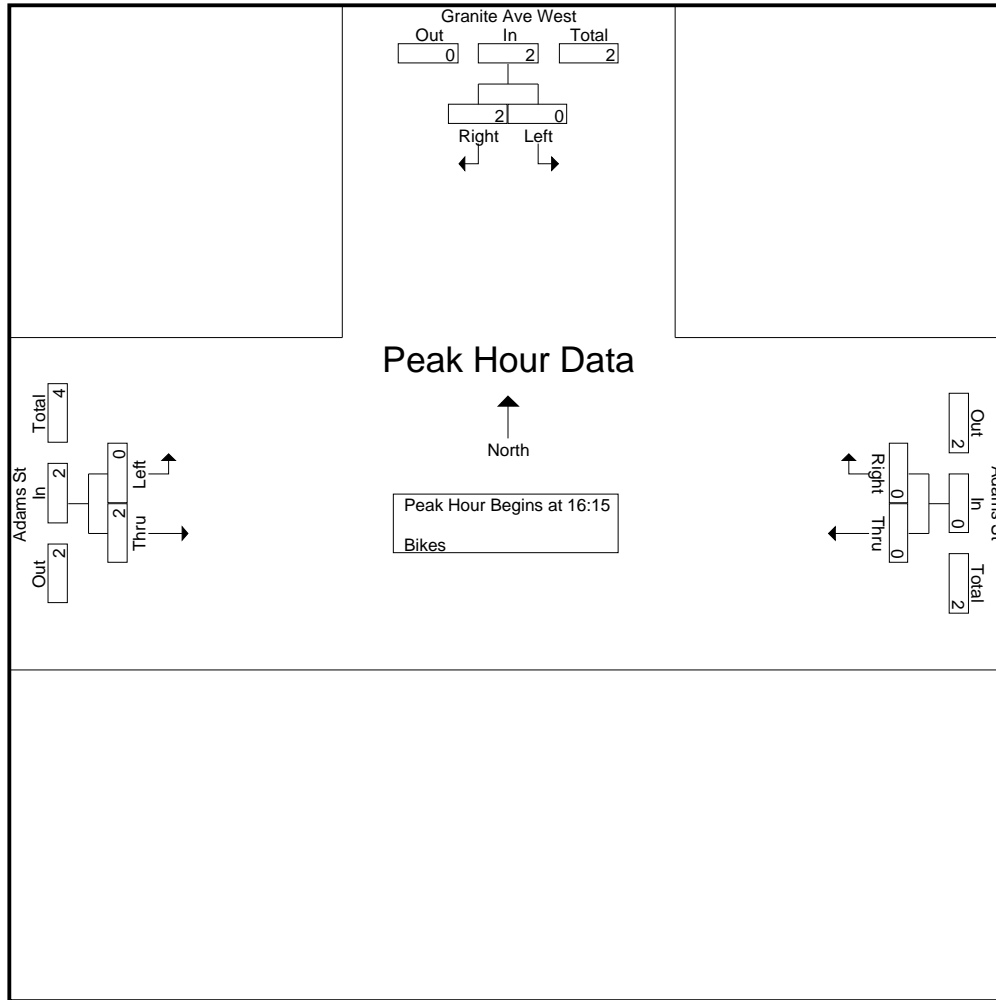
Groups Printed- Bikes

Start Time	Granite Ave West From North		Adams St From East		Adams St From West		Int. Total
	Left	Right	Thru	Right	Left	Thru	
16:00	0	0	0	0	0	0	0
16:15	0	1	0	0	0	0	1
16:30	0	0	0	0	0	1	1
16:45	0	1	0	0	0	0	1
<b>Total</b>	<b>0</b>	<b>2</b>	<b>0</b>	<b>0</b>	<b>0</b>	<b>1</b>	<b>3</b>
17:00	0	0	0	0	0	1	1
17:15	0	0	0	0	0	0	0
17:30	1	0	0	0	0	1	2
17:45	0	0	0	0	0	0	0
<b>Total</b>	<b>1</b>	<b>0</b>	<b>0</b>	<b>0</b>	<b>0</b>	<b>2</b>	<b>3</b>
<b>Grand Total</b>	<b>1</b>	<b>2</b>	<b>0</b>	<b>0</b>	<b>0</b>	<b>3</b>	<b>6</b>
Apprch %	33.3	66.7	0	0	0	100	
Total %	16.7	33.3	0	0	0	50	

Start Time	Granite Ave West From North			Adams St From East			Adams St From West			Int. Total
	Left	Right	App. Total	Thru	Right	App. Total	Left	Thru	App. Total	
16:15	0	1	1	0	0	0	0	0	0	1
16:30	0	0	0	0	0	0	0	1	1	1
16:45	0	1	1	0	0	0	0	0	0	1
17:00	0	0	0	0	0	0	0	1	1	1
<b>Total Volume</b>	<b>0</b>	<b>2</b>	<b>2</b>	<b>0</b>	<b>0</b>	<b>0</b>	<b>0</b>	<b>2</b>	<b>2</b>	<b>4</b>
<b>% App. Total</b>	<b>0</b>	<b>100</b>		<b>0</b>	<b>0</b>		<b>0</b>	<b>100</b>		
PHF	.000	.500	.500	.000	.000	.000	.000	.500	.500	1.000

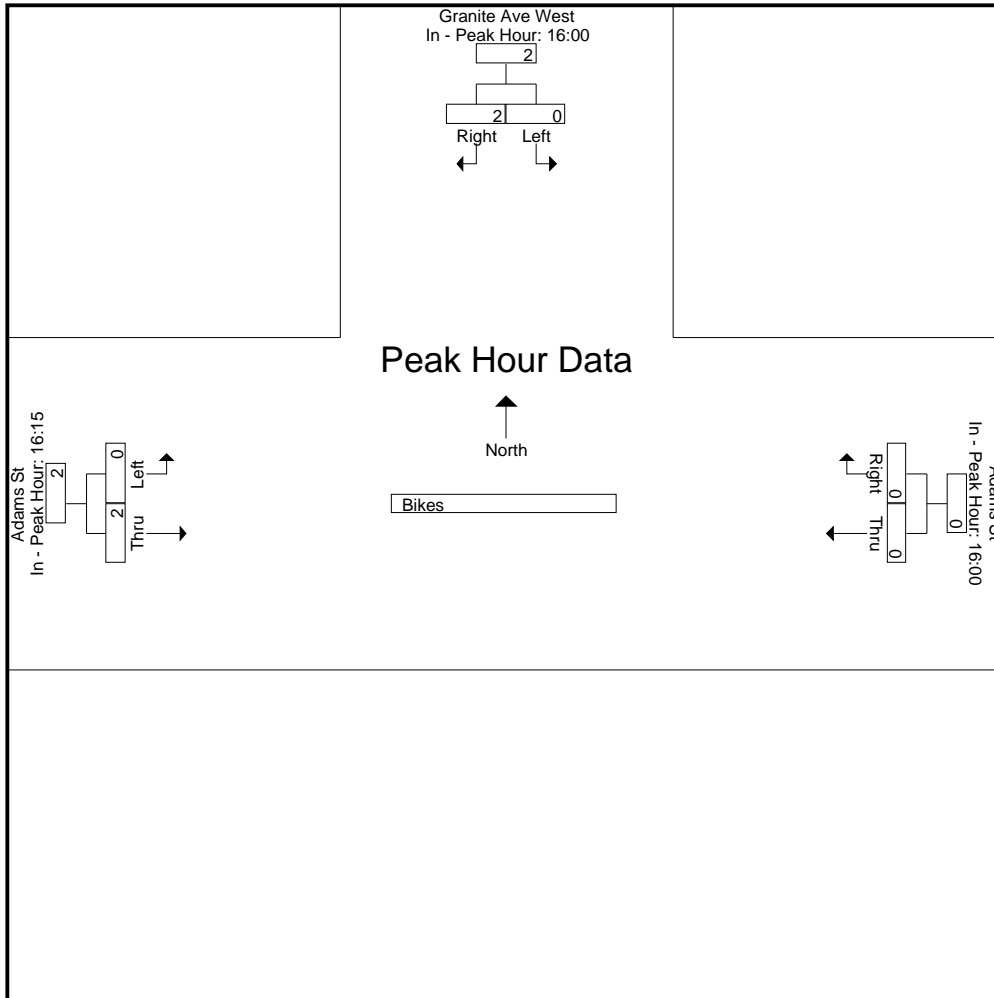
Peak Hour Analysis From 16:00 to 17:45 - Peak 1 of 1

Peak Hour for Entire Intersection Begins at 16:15



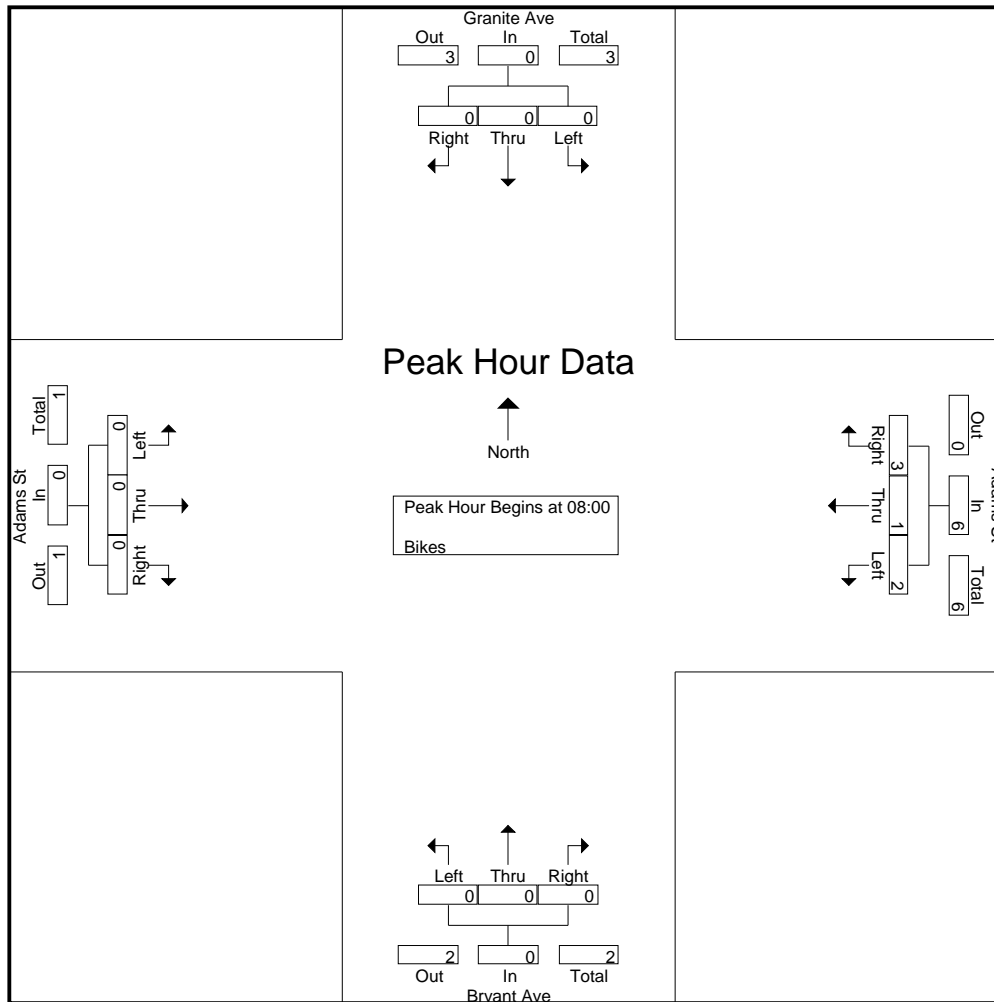
Peak Hour Analysis From 16:00 to 17:45 - Peak 1 of 1  
Peak Hour for Each Approach Begins at:

	16:00			16:00			16:15		
+0 mins.	0	0	0	0	0	0	0	0	0
+15 mins.	0	1	1	0	0	0	0	1	1
+30 mins.	0	0	0	0	0	0	0	0	0
+45 mins.	0	1	1	0	0	0	0	1	1
Total Volume	0	2	2	0	0	0	0	2	2
% App. Total	0	100		0	0		0	100	
PHF	.000	.500	.500	.000	.000	.000	.000	.500	.500



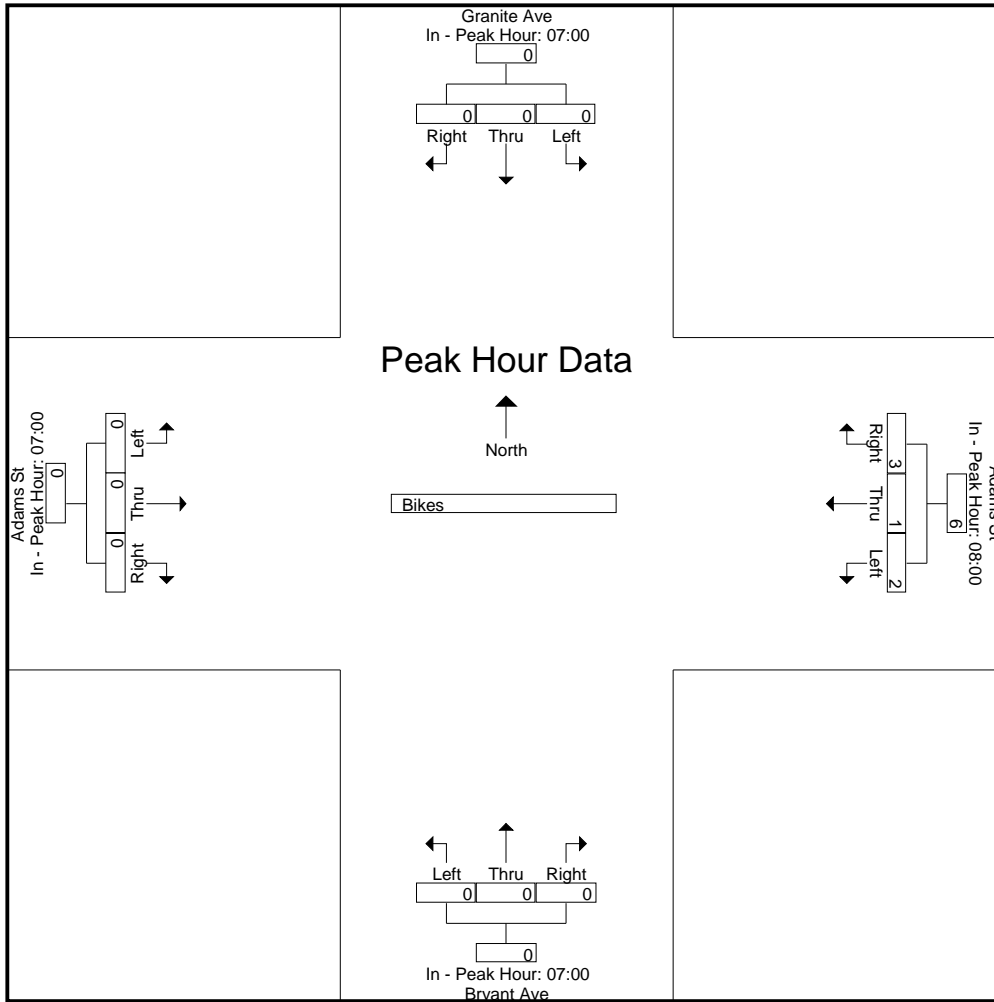




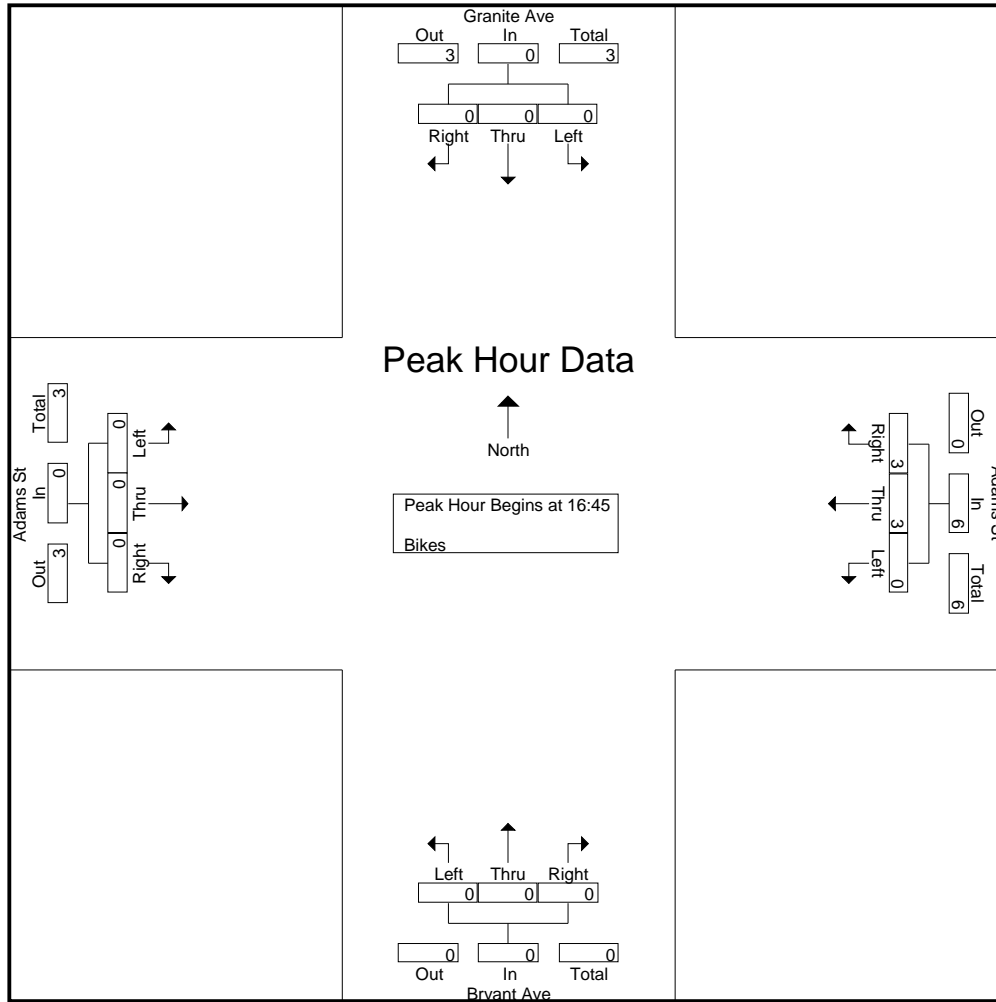


Peak Hour Analysis From 07:00 to 08:45 - Peak 1 of 1  
Peak Hour for Each Approach Begins at:

	07:00				08:00				07:00				07:00			
+0 mins.	0	0	0	0	1	0	1	2	0	0	0	0	0	0	0	0
+15 mins.	0	0	0	0	0	1	0	1	0	0	0	0	0	0	0	0
+30 mins.	0	0	0	0	0	0	0	0	0	0	0	0	0	0	0	0
+45 mins.	0	0	0	0	1	0	2	3	0	0	0	0	0	0	0	0
Total Volume	0	0	0	0	2	1	3	6	0	0	0	0	0	0	0	0
% App. Total	0	0	0	0	33.3	16.7	50	6	0	0	0	0	0	0	0	0
PHF	.000	.000	.000	.000	.500	.250	.375	.500	.000	.000	.000	.000	.000	.000	.000	.000

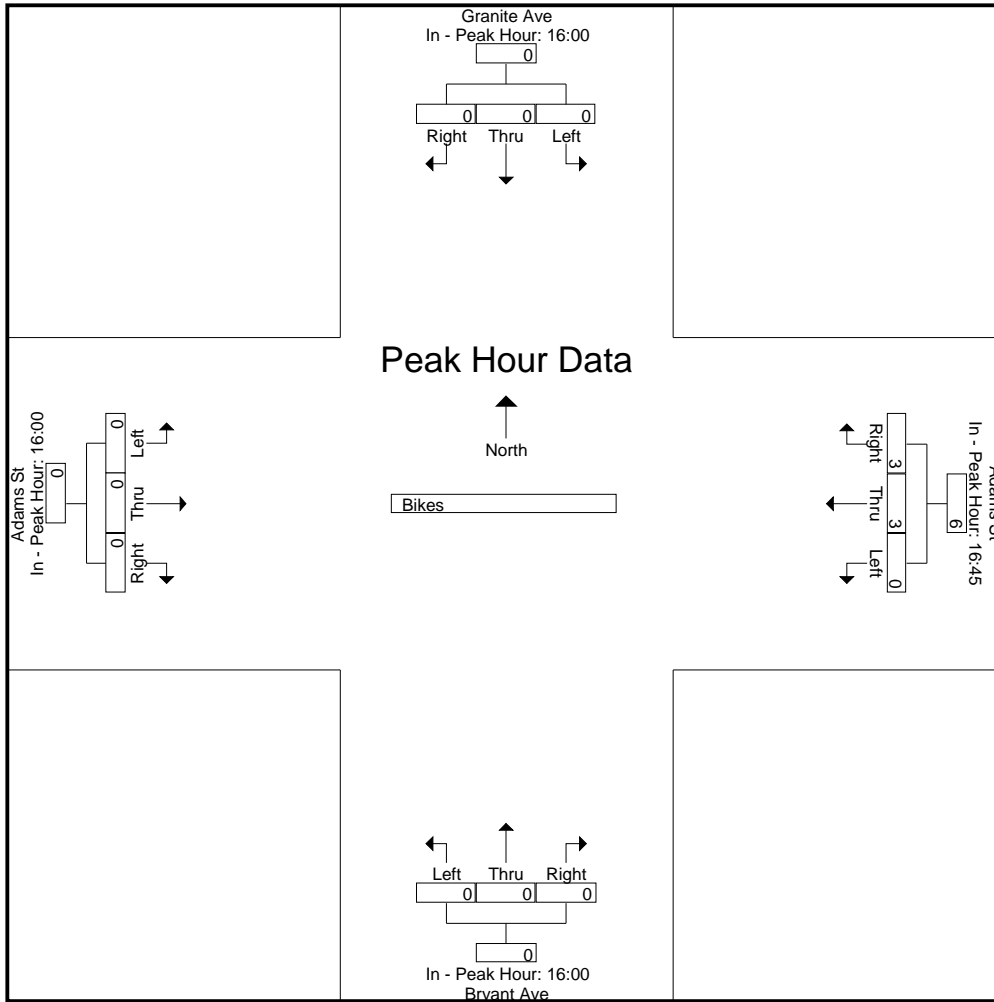


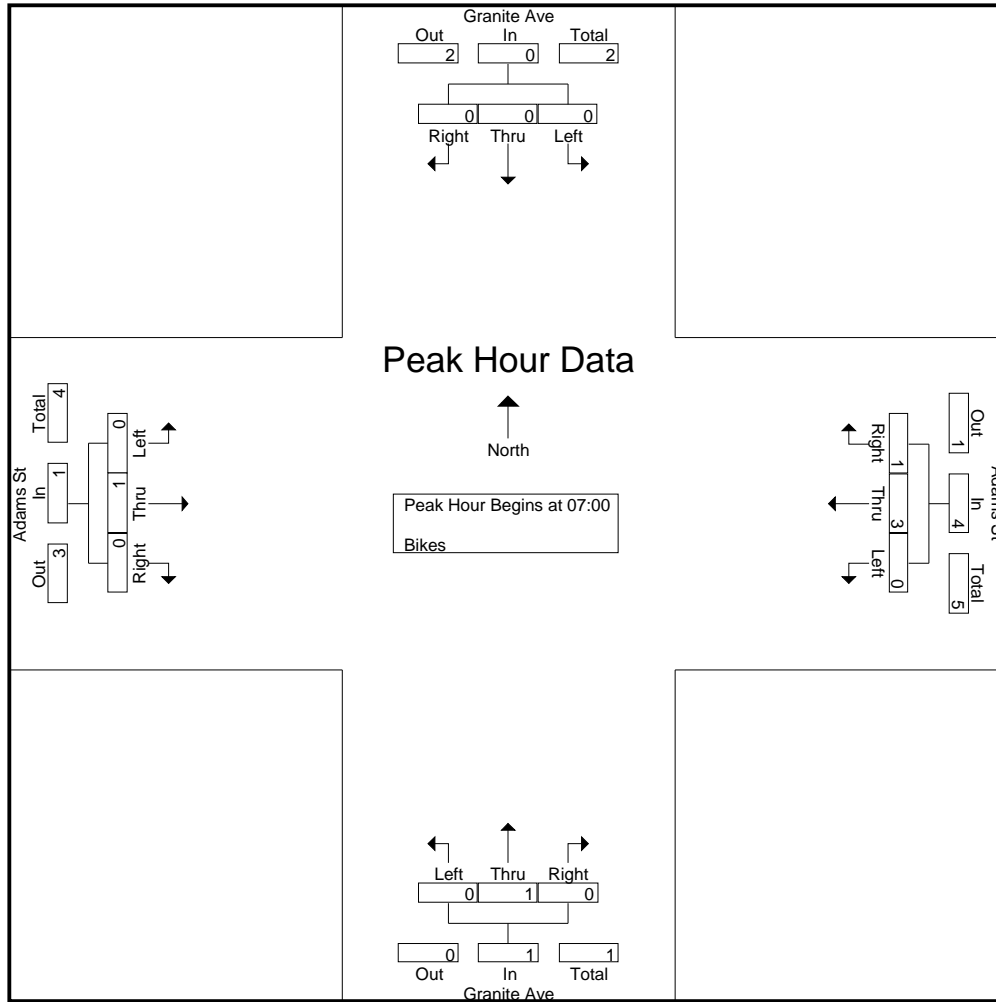




Peak Hour Analysis From 16:00 to 17:45 - Peak 1 of 1  
Peak Hour for Each Approach Begins at:

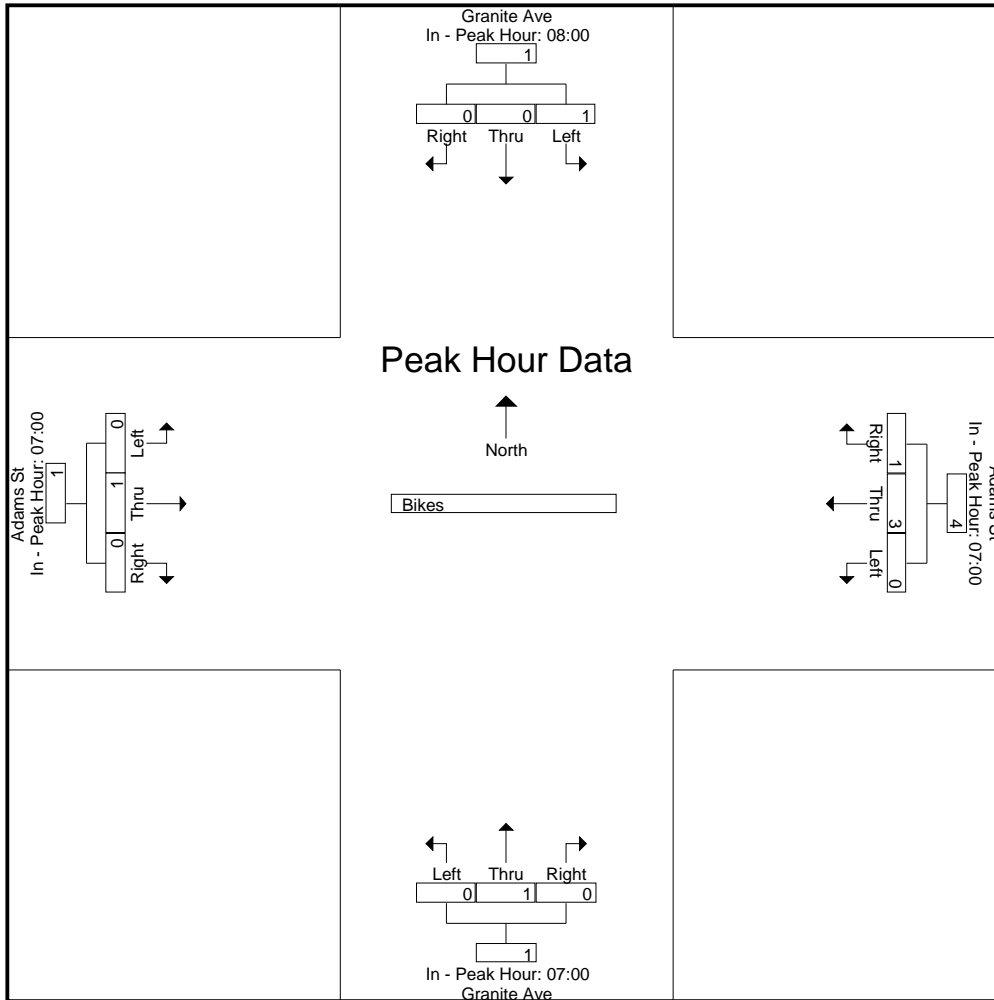
	16:00				16:45				16:00				16:00			
+0 mins.	0	0	0	0	0	1	1	2	0	0	0	0	0	0	0	0
+15 mins.	0	0	0	0	0	0	1	1	0	0	0	0	0	0	0	0
+30 mins.	0	0	0	0	0	0	0	0	0	0	0	0	0	0	0	0
+45 mins.	0	0	0	0	0	2	1	3	0	0	0	0	0	0	0	0
Total Volume	0	0	0	0	0	3	3	6	0	0	0	0	0	0	0	0
% App. Total	0	0	0	0	0	50	50	6	0	0	0	0	0	0	0	0
PHF	.000	.000	.000	.000	.000	.375	.750	.500	.000	.000	.000	.000	.000	.000	.000	.000





Peak Hour Analysis From 07:00 to 08:45 - Peak 1 of 1  
Peak Hour for Each Approach Begins at:

	08:00				07:00				07:00				07:00			
+0 mins.	0	0	0	0	0	0	1	1	0	0	0	0	0	1	0	1
+15 mins.	0	0	0	0	0	0	0	0	0	1	0	1	0	0	0	0
+30 mins.	0	0	0	0	0	0	0	0	0	0	0	0	0	0	0	0
+45 mins.	1	0	0	1	0	3	0	3	0	0	0	0	0	0	0	0
Total Volume	1	0	0	1	0	3	1	4	0	1	0	1	0	1	0	1
% App. Total	100	0	0		0	75	25		0	100	0		0	100	0	
PHF	.250	.000	.000	.250	.000	.250	.250	.333	.000	.250	.000	.250	.000	.250	.000	.250





# Accurate Counts

## 978-664-2565

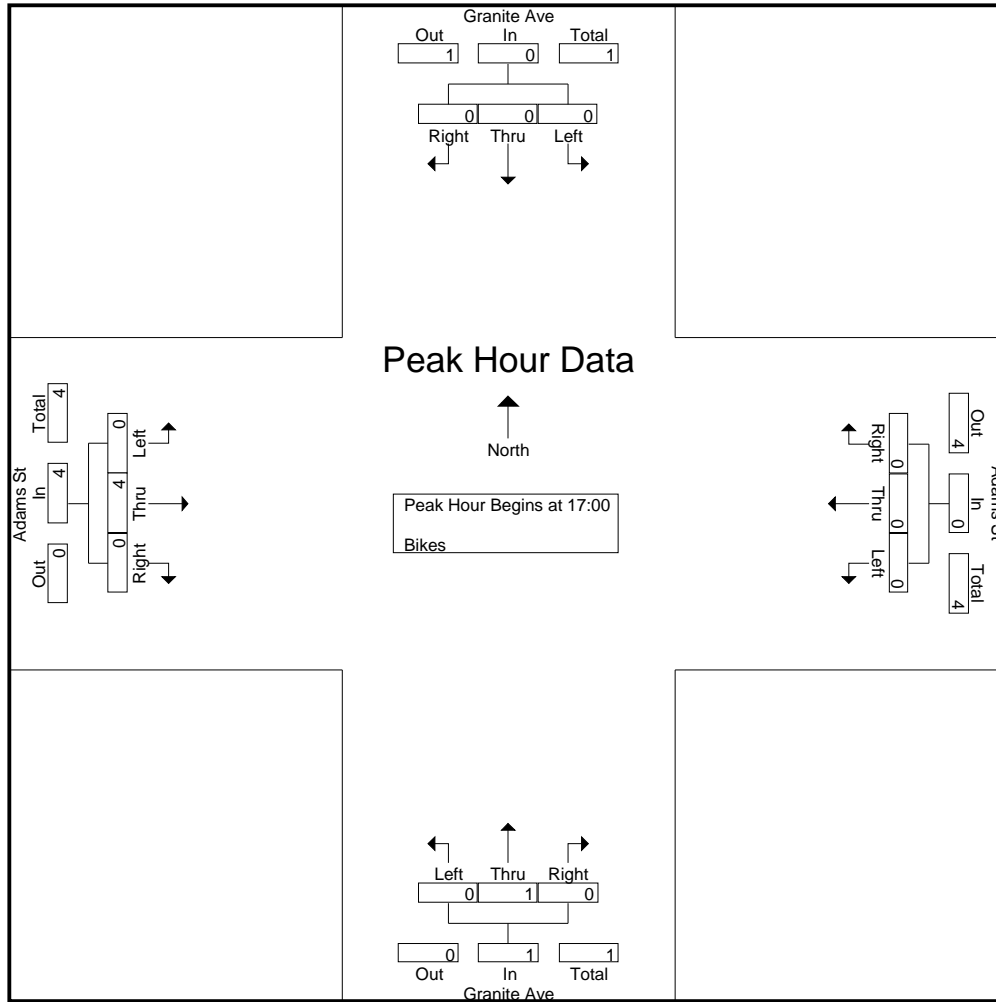
N/S Street : Granite Avenue  
 E/W Street: Adams Street  
 City/State : Milton, MA  
 Weather : Clear

File Name : 53000006  
 Site Code : 53000006  
 Start Date : 6/15/2010  
 Page No : 1

### Groups Printed- Bikes

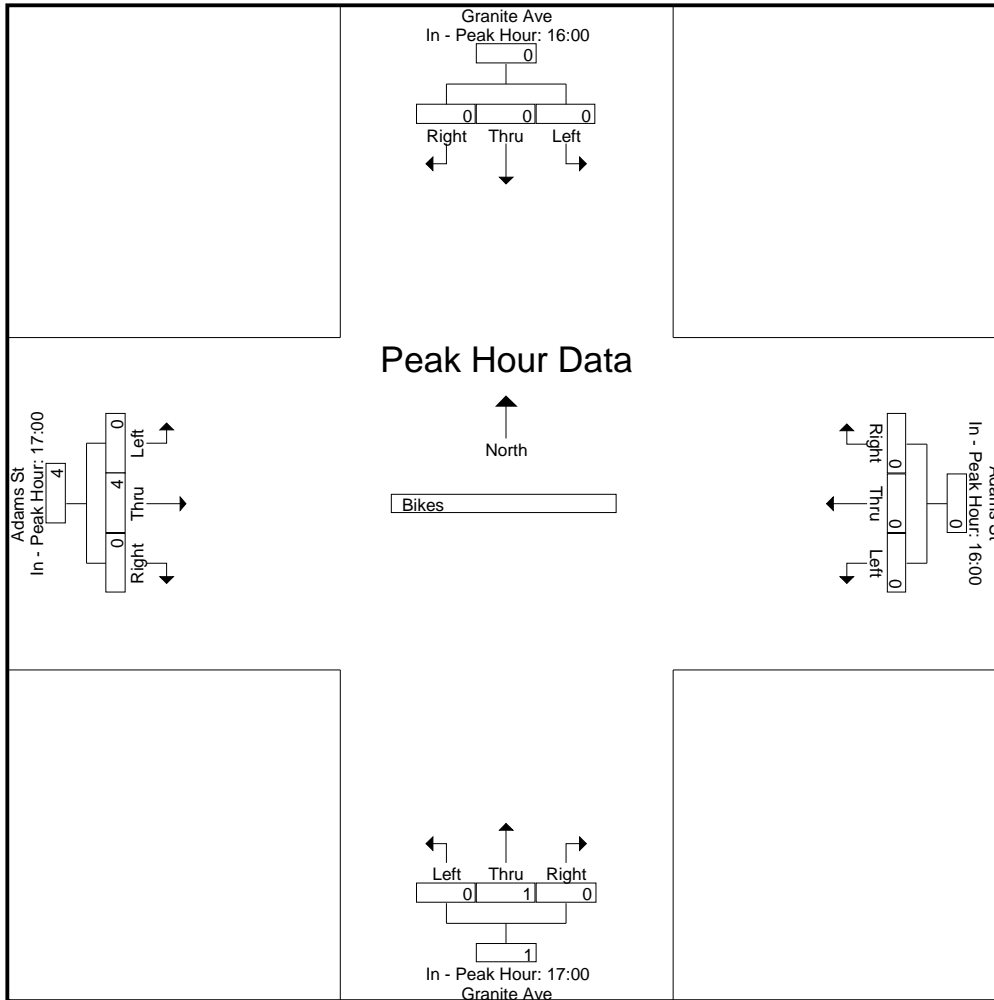
Start Time	Granite Ave From North			Adams St From East			Granite Ave From South			Adams St From West			Int. Total
	Left	Thru	Right	Left	Thru	Right	Left	Thru	Right	Left	Thru	Right	
16:00	0	0	0	0	0	0	0	0	0	0	0	0	0
16:15	0	0	0	0	0	0	0	0	0	0	0	0	0
16:30	0	0	0	0	0	0	0	0	0	0	1	0	1
16:45	0	0	0	0	0	0	0	0	0	0	0	0	0
Total	0	0	0	0	0	0	0	0	0	0	1	0	1
17:00	0	0	0	0	0	0	0	0	0	0	1	0	1
17:15	0	0	0	0	0	0	0	0	0	0	0	0	0
17:30	0	0	0	0	0	0	0	0	0	0	2	0	2
17:45	0	0	0	0	0	0	0	1	0	0	1	0	2
Total	0	0	0	0	0	0	0	1	0	0	4	0	5
Grand Total	0	0	0	0	0	0	0	1	0	0	5	0	6
Apprch %	0	0	0	0	0	0	0	100	0	0	100	0	
Total %	0	0	0	0	0	0	0	16.7	0	0	83.3	0	

Start Time	Granite Ave From North				Adams St From East				Granite Ave From South				Adams St From West				Int. Total
	Left	Thru	Right	App. Total	Left	Thru	Right	App. Total	Left	Thru	Right	App. Total	Left	Thru	Right	App. Total	
Peak Hour Analysis From 16:00 to 17:45 - Peak 1 of 1																	
Peak Hour for Entire Intersection Begins at 17:00																	
17:00	0	0	0	0	0	0	0	0	0	0	0	0	0	1	0	1	1
17:15	0	0	0	0	0	0	0	0	0	0	0	0	0	0	0	0	0
17:30	0	0	0	0	0	0	0	0	0	0	0	0	0	2	0	2	2
17:45	0	0	0	0	0	0	0	0	0	1	0	1	0	1	0	1	2
Total Volume	0	0	0	0	0	0	0	0	0	1	0	1	0	4	0	4	5
% App. Total	0	0	0	0	0	0	0	0	0	100	0	0	0	100	0	0	
PHF	.000	.000	.000	.000	.000	.000	.000	.000	.000	.250	.000	.250	.000	.500	.000	.500	.625



Peak Hour Analysis From 16:00 to 17:45 - Peak 1 of 1  
Peak Hour for Each Approach Begins at:

	16:00				16:00				17:00				17:00			
+0 mins.	0	0	0	0	0	0	0	0	0	0	0	0	0	1	0	1
+15 mins.	0	0	0	0	0	0	0	0	0	0	0	0	0	0	0	0
+30 mins.	0	0	0	0	0	0	0	0	0	0	0	0	0	2	0	2
+45 mins.	0	0	0	0	0	0	0	0	0	1	0	1	0	1	0	1
Total Volume	0	0	0	0	0	0	0	0	0	1	0	1	0	4	0	4
% App. Total	0	0	0	0	0	0	0	0	0	100	0	1	0	100	0	1
PHF	.000	.000	.000	.000	.000	.000	.000	.000	.000	.250	.000	.250	.000	.500	.000	.500



# Accurate Counts

## 978-664-2565

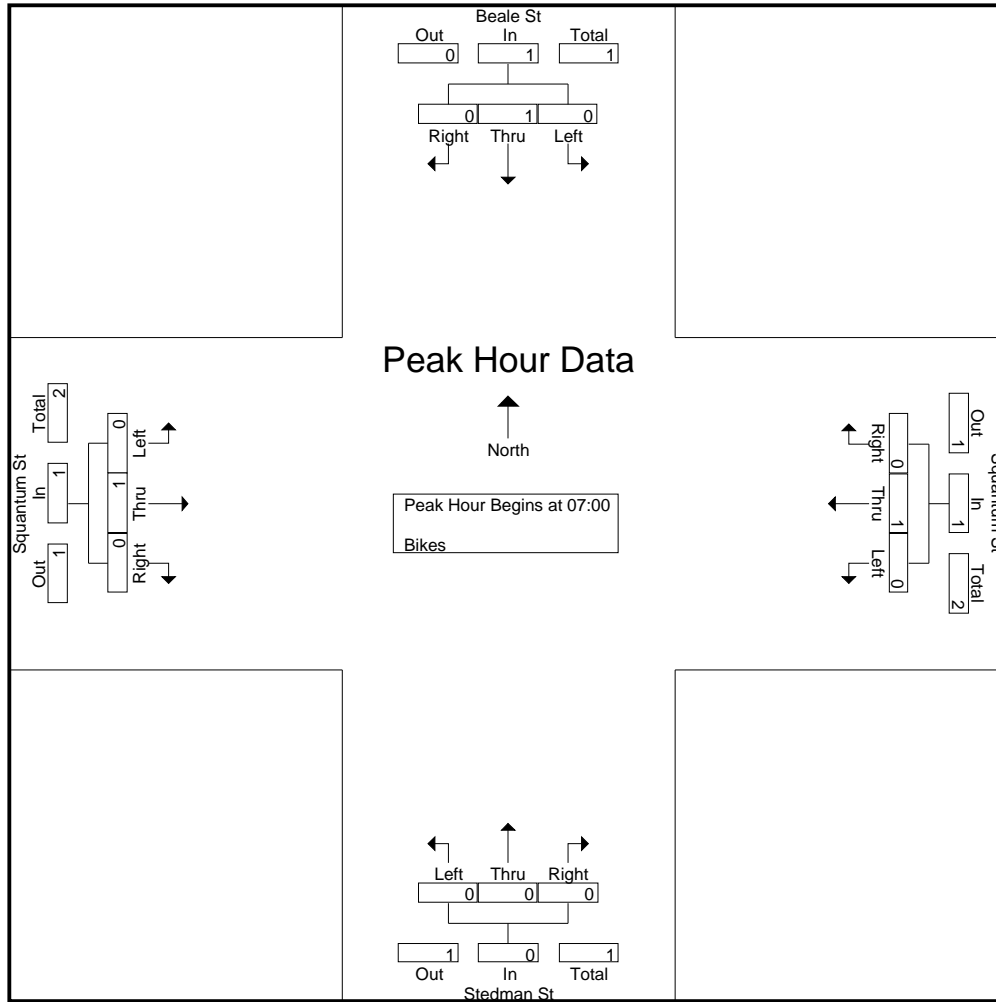
N/S Street : Stedman St / Beale St  
 E/W Street: Adams Street  
 City/State : Milton, MA  
 Weather : Clear

File Name : 53000007  
 Site Code : 53000007  
 Start Date : 6/15/2010  
 Page No : 1

### Groups Printed- Bikes

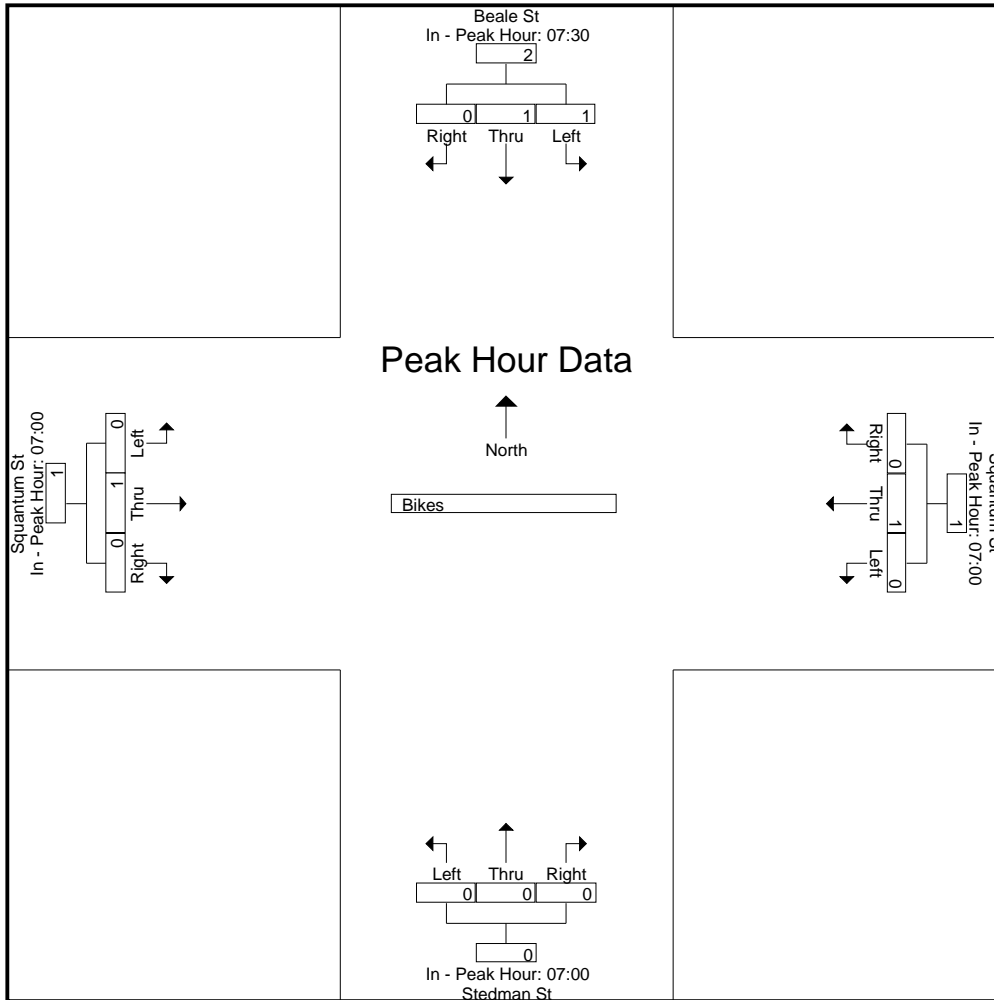
Start Time	Beale St From North			Squantum St From East			Stedman St From South			Squantum St From West			Int. Total
	Left	Thru	Right	Left	Thru	Right	Left	Thru	Right	Left	Thru	Right	
07:00	0	0	0	0	1	0	0	0	0	0	1	0	2
07:15	0	0	0	0	0	0	0	0	0	0	0	0	0
07:30	0	0	0	0	0	0	0	0	0	0	0	0	0
07:45	0	1	0	0	0	0	0	0	0	0	0	0	1
<b>Total</b>	0	1	0	0	1	0	0	0	0	0	1	0	3
08:00	0	0	0	0	0	0	0	0	0	0	0	0	0
08:15	1	0	0	0	1	0	0	0	0	0	0	0	2
08:30	0	0	0	0	0	0	0	0	0	0	0	0	0
08:45	0	0	0	0	0	0	0	0	0	0	0	0	0
<b>Total</b>	1	0	0	0	1	0	0	0	0	0	0	0	2
<b>Grand Total</b>	1	1	0	0	2	0	0	0	0	0	1	0	5
Apprch %	50	50	0	0	100	0	0	0	0	0	100	0	
Total %	20	20	0	0	40	0	0	0	0	0	20	0	

Start Time	Beale St From North				Squantum St From East				Stedman St From South				Squantum St From West				Int. Total	
	Left	Thru	Right	App. Total	Left	Thru	Right	App. Total	Left	Thru	Right	App. Total	Left	Thru	Right	App. Total		
Peak Hour Analysis From 07:00 to 08:45 - Peak 1 of 1																		
Peak Hour for Entire Intersection Begins at 07:00																		
07:00	0	0	0	0	0	1	0	1	0	0	0	0	0	0	1	0	1	2
07:15	0	0	0	0	0	0	0	0	0	0	0	0	0	0	0	0	0	0
07:30	0	0	0	0	0	0	0	0	0	0	0	0	0	0	0	0	0	0
07:45	0	1	0	1	0	0	0	0	0	0	0	0	0	0	0	0	0	1
<b>Total Volume</b>	0	1	0	1	0	1	0	1	0	0	0	0	0	0	1	0	1	3
<b>% App. Total</b>	0	100	0		0	100	0		0	0	0		0	100	0			
<b>PHF</b>	.000	.250	.000	.250	.000	.250	.000	.250	.000	.000	.000	.000	.000	.250	.000	.250	.375	

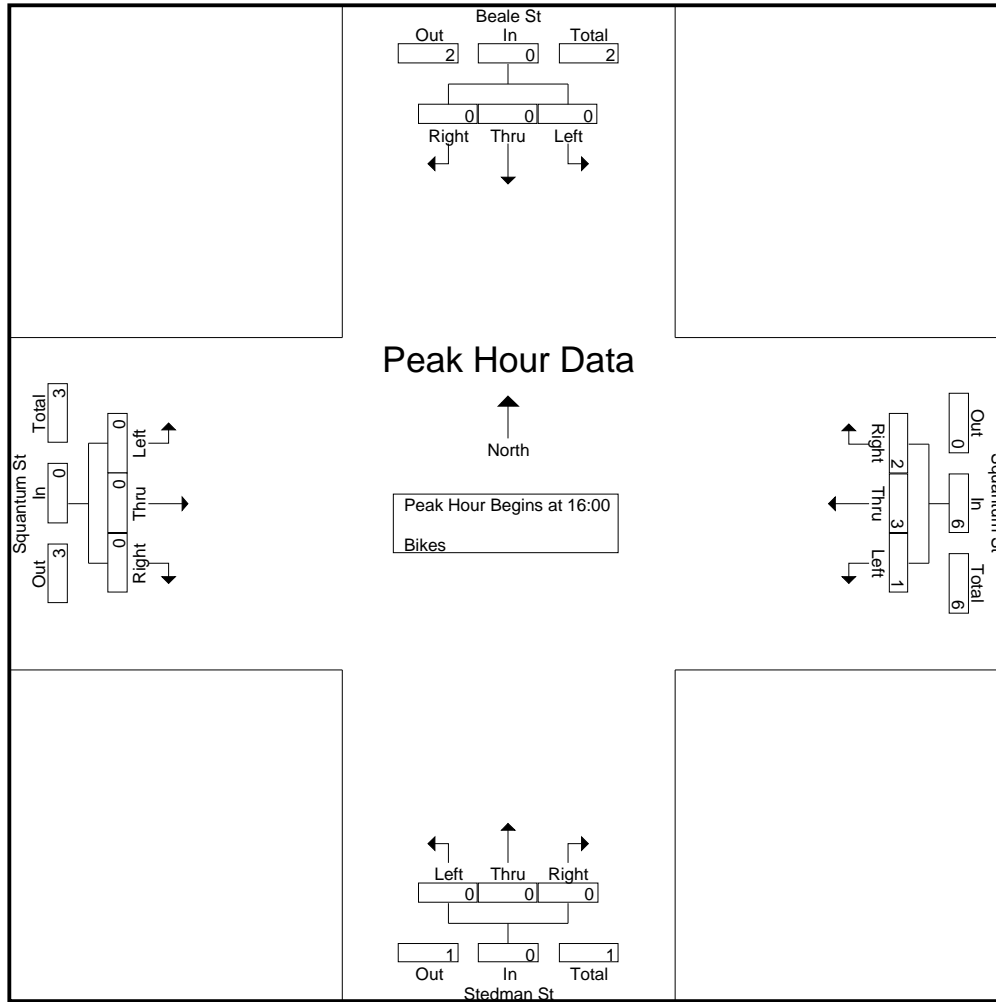


Peak Hour Analysis From 07:00 to 08:45 - Peak 1 of 1  
Peak Hour for Each Approach Begins at:

	07:30				07:00				07:00				07:00			
+0 mins.	0	0	0	0	0	1	0	1	0	0	0	0	0	1	0	1
+15 mins.	0	1	0	1	0	0	0	0	0	0	0	0	0	0	0	0
+30 mins.	0	0	0	0	0	0	0	0	0	0	0	0	0	0	0	0
+45 mins.	1	0	0	1	0	0	0	0	0	0	0	0	0	0	0	0
Total Volume	1	1	0	2	0	1	0	1	0	0	0	0	0	1	0	1
% App. Total	50	50	0		0	100	0		0	0	0		0	100	0	
PHF	.250	.250	.000	.500	.000	.250	.000	.250	.000	.000	.000	.000	.000	.250	.000	.250



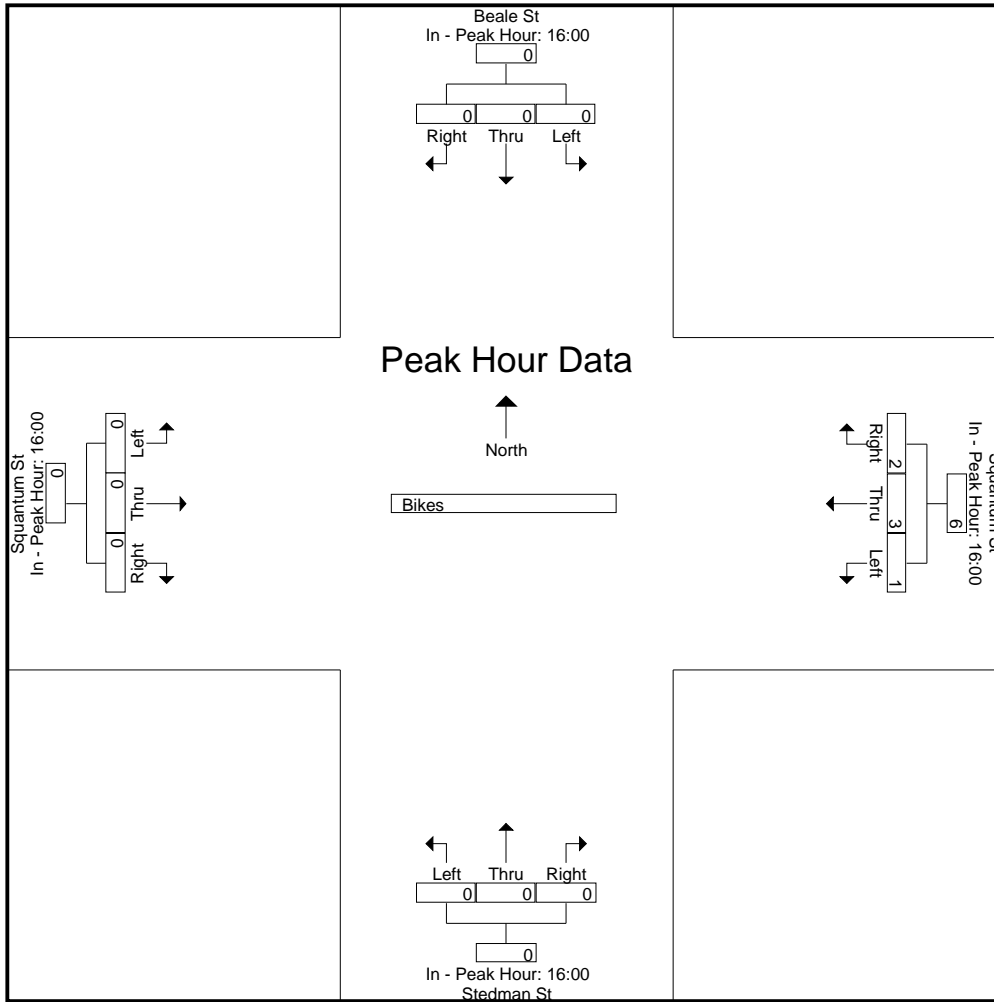




Peak Hour Analysis From 16:00 to 17:45 - Peak 1 of 1  
Peak Hour for Each Approach Begins at:

	16:00				16:00				16:00				16:00			
+0 mins.	0	0	0	0	1	3	1	5	0	0	0	0	0	0	0	0
+15 mins.	0	0	0	0	0	0	0	0	0	0	0	0	0	0	0	0
+30 mins.	0	0	0	0	0	0	0	0	0	0	0	0	0	0	0	0
+45 mins.	0	0	0	0	0	0	1	1	0	0	0	0	0	0	0	0
Total Volume	0	0	0	0	1	3	2	6	0	0	0	0	0	0	0	0
% App. Total	0	0	0	0	16.7	50	33.3	6	0	0	0	0	0	0	0	0
PHF	.000	.000	.000	.000	.250	.250	.500	.300	.000	.000	.000	.000	.000	.000	.000	.000





# Accurate Counts

## 978-664-2565

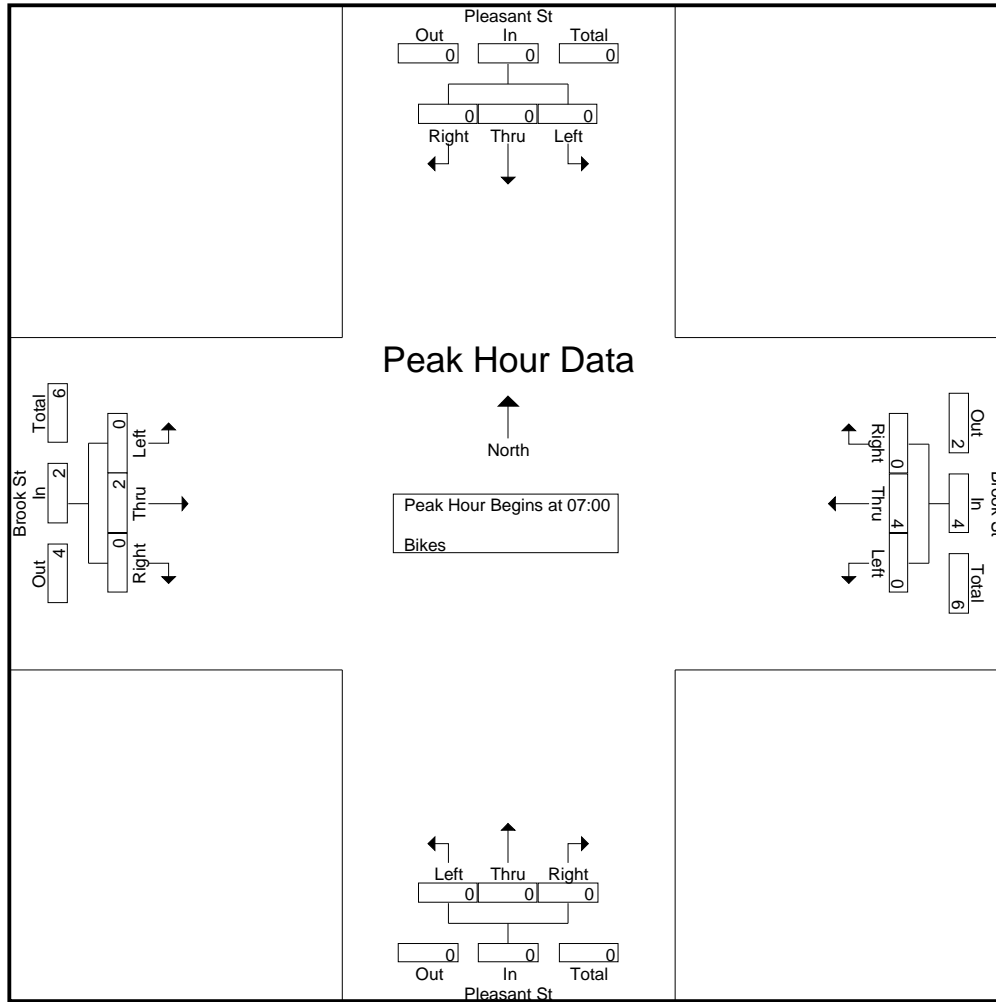
File Name : 53000008  
 Site Code : 53000008  
 Start Date : 6/15/2010  
 Page No : 1

N/S Street : Pleasant Street  
 E/W Street: Brook Street  
 City/State : Milton, MA  
 Weather : Clear

### Groups Printed- Bikes

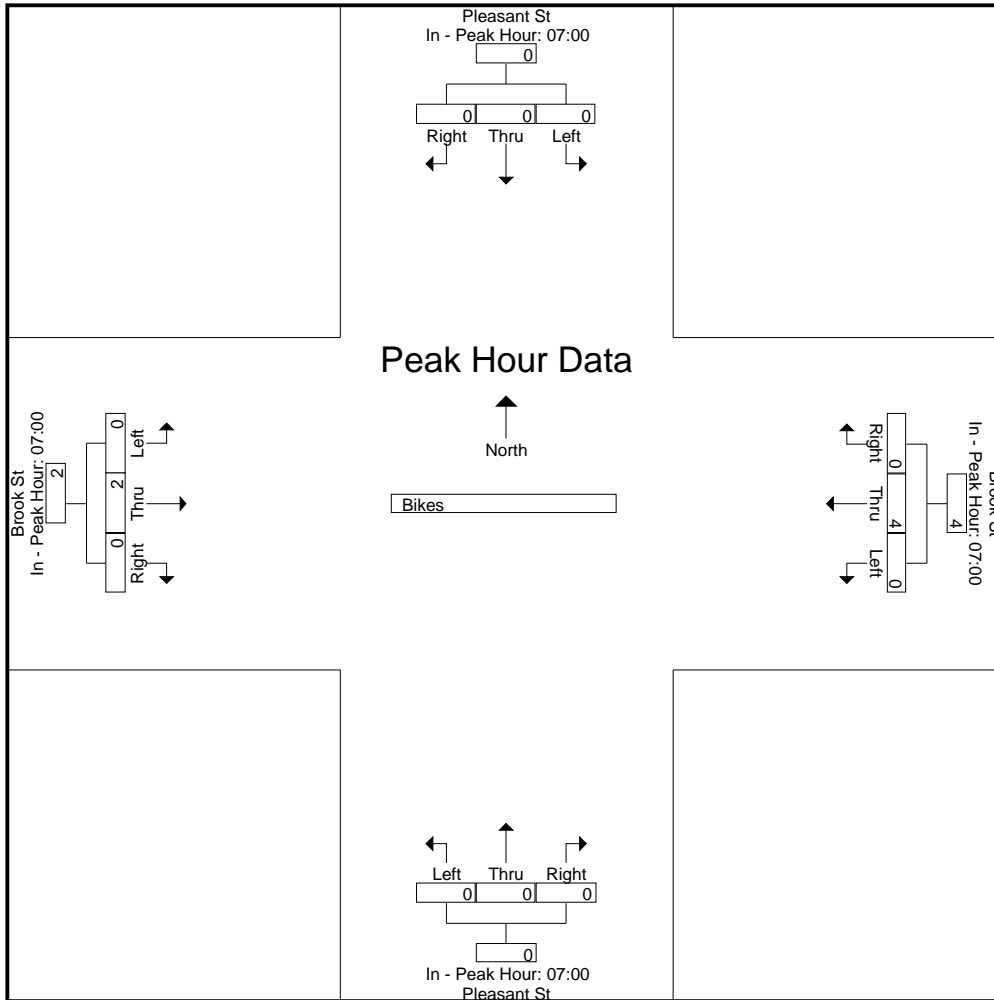
Start Time	Pleasant St From North			Brook St From East			Pleasant St From South			Brook St From West			Int. Total
	Left	Thru	Right	Left	Thru	Right	Left	Thru	Right	Left	Thru	Right	
07:00	0	0	0	0	3	0	0	0	0	0	2	0	5
07:15	0	0	0	0	0	0	0	0	0	0	0	0	0
07:30	0	0	0	0	1	0	0	0	0	0	0	0	1
07:45	0	0	0	0	0	0	0	0	0	0	0	0	0
<b>Total</b>	0	0	0	0	4	0	0	0	0	0	2	0	6
08:00	0	0	0	0	0	0	0	0	0	0	1	0	1
08:15	0	0	0	0	0	0	0	0	0	0	0	0	0
08:30	0	0	0	0	0	0	0	0	0	0	0	0	0
08:45	0	0	0	0	0	0	0	0	0	0	1	0	1
<b>Total</b>	0	0	0	0	0	0	0	0	0	0	2	0	2
<b>Grand Total</b>	0	0	0	0	4	0	0	0	0	0	4	0	8
Apprch %	0	0	0	0	100	0	0	0	0	0	100	0	
Total %	0	0	0	0	50	0	0	0	0	0	50	0	

Start Time	Pleasant St From North				Brook St From East				Pleasant St From South				Brook St From West				Int. Total
	Left	Thru	Right	App. Total	Left	Thru	Right	App. Total	Left	Thru	Right	App. Total	Left	Thru	Right	App. Total	
Peak Hour Analysis From 07:00 to 08:45 - Peak 1 of 1																	
Peak Hour for Entire Intersection Begins at 07:00																	
07:00	0	0	0	0	0	3	0	3	0	0	0	0	0	2	0	2	5
07:15	0	0	0	0	0	0	0	0	0	0	0	0	0	0	0	0	0
07:30	0	0	0	0	0	1	0	1	0	0	0	0	0	0	0	0	1
07:45	0	0	0	0	0	0	0	0	0	0	0	0	0	0	0	0	0
<b>Total Volume</b>	0	0	0	0	0	4	0	4	0	0	0	0	0	2	0	2	6
<b>% App. Total</b>	0	0	0	0	0	100	0	0	0	0	0	0	0	100	0	0	
<b>PHF</b>	.000	.000	.000	.000	.000	.333	.000	.333	.000	.000	.000	.000	.000	.250	.000	.250	.300



Peak Hour Analysis From 07:00 to 08:45 - Peak 1 of 1  
Peak Hour for Each Approach Begins at:

	07:00				07:00				07:00				07:00			
+0 mins.	0	0	0	0	0	3	0	3	0	0	0	0	0	2	0	2
+15 mins.	0	0	0	0	0	0	0	0	0	0	0	0	0	0	0	0
+30 mins.	0	0	0	0	0	1	0	1	0	0	0	0	0	0	0	0
+45 mins.	0	0	0	0	0	0	0	0	0	0	0	0	0	0	0	0
Total Volume	0	0	0	0	0	4	0	4	0	0	0	0	0	2	0	2
% App. Total	0	0	0	0	0	100	0	4	0	0	0	0	0	100	0	2
PHF	.000	.000	.000	.000	.000	.333	.000	.333	.000	.000	.000	.000	.000	.250	.000	.250



# Accurate Counts

## 978-664-2565

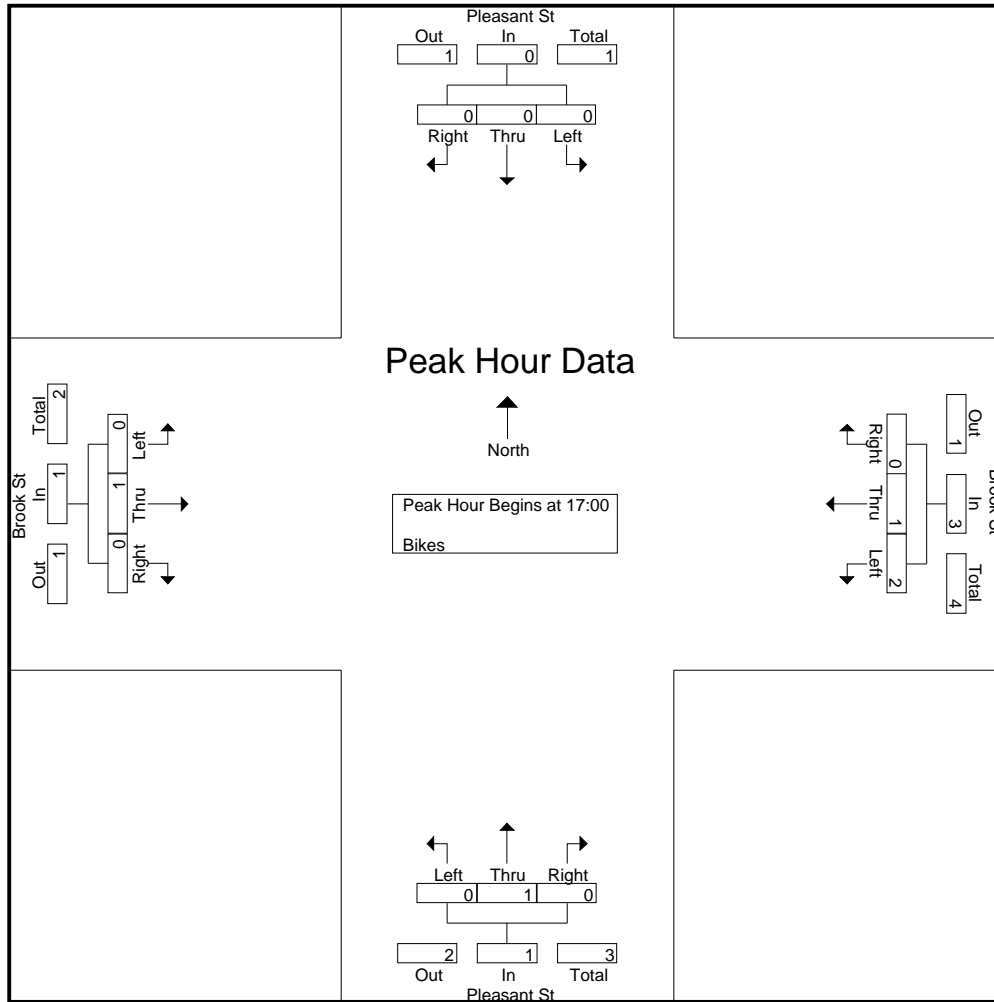
File Name : 53000008  
 Site Code : 53000008  
 Start Date : 6/15/2010  
 Page No : 1

N/S Street : Pleasant Street  
 E/W Street: Brook Street  
 City/State : Milton, MA  
 Weather : Clear

### Groups Printed- Bikes

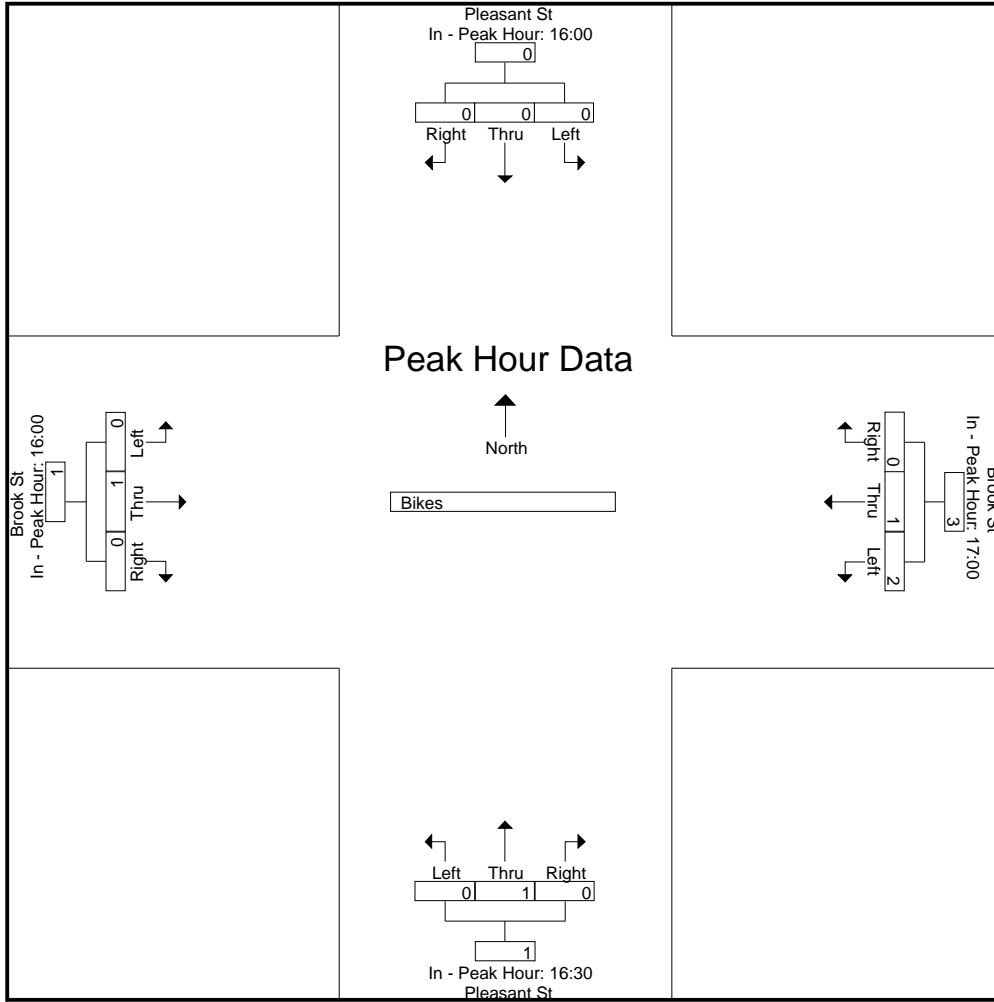
Start Time	Pleasant St From North			Brook St From East			Pleasant St From South			Brook St From West			Int. Total
	Left	Thru	Right	Left	Thru	Right	Left	Thru	Right	Left	Thru	Right	
16:00	0	0	0	0	0	0	0	0	0	0	0	0	0
16:15	0	0	0	1	0	0	0	0	0	0	0	0	1
16:30	0	0	0	0	0	0	0	0	0	0	0	0	0
16:45	0	0	0	0	0	0	0	0	0	0	1	0	1
<b>Total</b>	<b>0</b>	<b>0</b>	<b>0</b>	<b>1</b>	<b>0</b>	<b>0</b>	<b>0</b>	<b>0</b>	<b>0</b>	<b>0</b>	<b>1</b>	<b>0</b>	<b>2</b>
17:00	0	0	0	0	0	0	0	0	0	0	0	0	0
17:15	0	0	0	1	0	0	0	1	0	0	0	0	2
17:30	0	0	0	0	1	0	0	0	0	0	0	0	1
17:45	0	0	0	1	0	0	0	0	0	0	1	0	2
<b>Total</b>	<b>0</b>	<b>0</b>	<b>0</b>	<b>2</b>	<b>1</b>	<b>0</b>	<b>0</b>	<b>1</b>	<b>0</b>	<b>0</b>	<b>1</b>	<b>0</b>	<b>5</b>
<b>Grand Total</b>	<b>0</b>	<b>0</b>	<b>0</b>	<b>3</b>	<b>1</b>	<b>0</b>	<b>0</b>	<b>1</b>	<b>0</b>	<b>0</b>	<b>2</b>	<b>0</b>	<b>7</b>
Apprch %	0	0	0	75	25	0	0	100	0	0	100	0	
Total %	0	0	0	42.9	14.3	0	0	14.3	0	0	28.6	0	

Start Time	Pleasant St From North				Brook St From East				Pleasant St From South				Brook St From West				Int. Total
	Left	Thru	Right	App. Total	Left	Thru	Right	App. Total	Left	Thru	Right	App. Total	Left	Thru	Right	App. Total	
Peak Hour Analysis From 16:00 to 17:45 - Peak 1 of 1																	
Peak Hour for Entire Intersection Begins at 17:00																	
17:00	0	0	0	0	0	0	0	0	0	0	0	0	0	0	0	0	0
17:15	0	0	0	0	1	0	0	1	0	1	0	1	0	0	0	0	2
17:30	0	0	0	0	0	1	0	1	0	0	0	0	0	0	0	0	1
17:45	0	0	0	0	1	0	0	1	0	0	0	0	0	1	0	1	2
<b>Total Volume</b>	<b>0</b>	<b>0</b>	<b>0</b>	<b>0</b>	<b>2</b>	<b>1</b>	<b>0</b>	<b>3</b>	<b>0</b>	<b>1</b>	<b>0</b>	<b>1</b>	<b>0</b>	<b>1</b>	<b>0</b>	<b>1</b>	<b>5</b>
<b>% App. Total</b>	<b>0</b>	<b>0</b>	<b>0</b>	<b>0</b>	<b>66.7</b>	<b>33.3</b>	<b>0</b>	<b>0</b>	<b>0</b>	<b>100</b>	<b>0</b>	<b>0</b>	<b>0</b>	<b>100</b>	<b>0</b>	<b>0</b>	<b>0</b>
<b>PHF</b>	<b>.000</b>	<b>.000</b>	<b>.000</b>	<b>.000</b>	<b>.500</b>	<b>.250</b>	<b>.000</b>	<b>.750</b>	<b>.000</b>	<b>.250</b>	<b>.000</b>	<b>.250</b>	<b>.000</b>	<b>.250</b>	<b>.000</b>	<b>.250</b>	<b>.625</b>



Peak Hour Analysis From 16:00 to 17:45 - Peak 1 of 1  
Peak Hour for Each Approach Begins at:

	16:00				17:00				16:30				16:00			
+0 mins.	0	0	0	0	0	0	0	0	0	0	0	0	0	0	0	0
+15 mins.	0	0	0	0	1	0	0	1	0	0	0	0	0	0	0	0
+30 mins.	0	0	0	0	0	1	0	1	0	0	0	0	0	0	0	0
+45 mins.	0	0	0	0	1	0	0	1	0	1	0	1	0	1	0	1
Total Volume	0	0	0	0	2	1	0	3	0	1	0	1	0	1	0	1
% App. Total	0	0	0	0	66.7	33.3	0	.750	0	100	0	.250	0	100	0	.250
PHF	.000	.000	.000	.000	.500	.250	.000	.750	.000	.250	.000	.250	.000	.250	.000	.250



# Accurate Counts

## 978-664-2565

File Name : 53000009  
 Site Code : 53000009  
 Start Date : 6/15/2010  
 Page No : 1

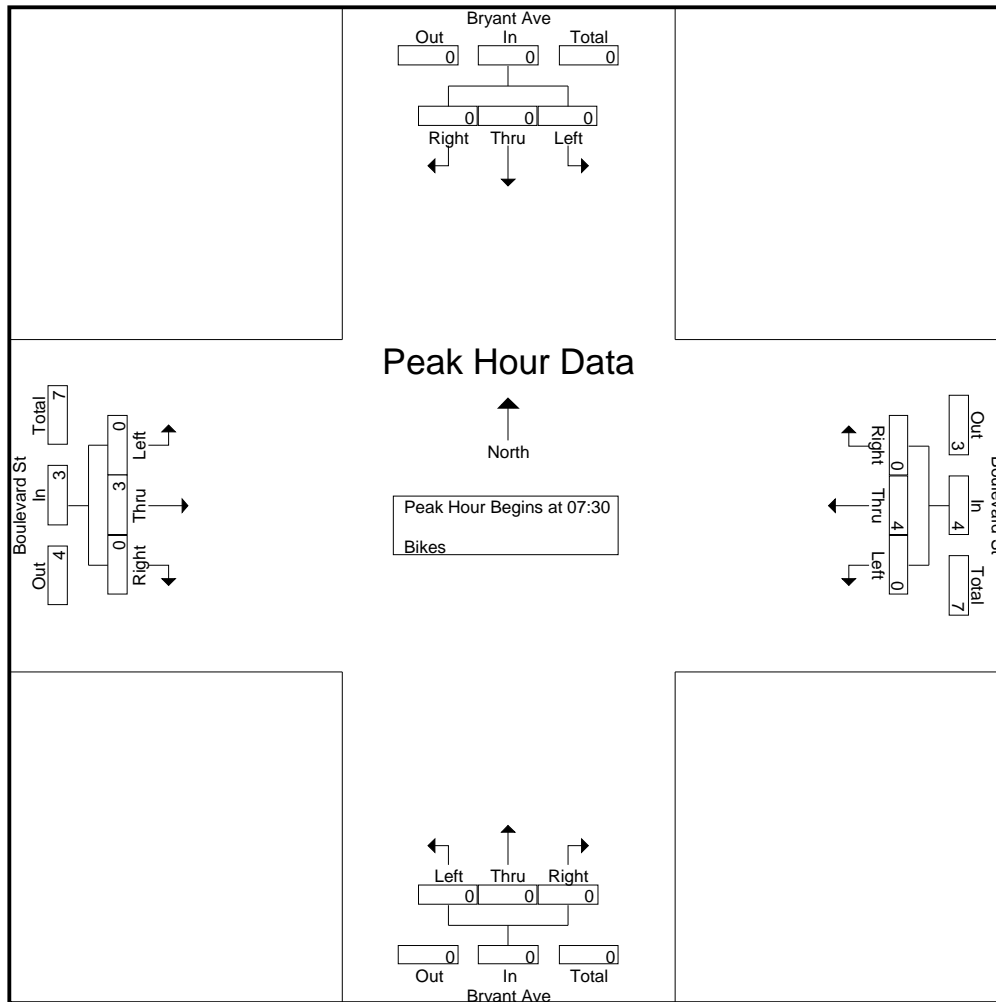
N/S Street : Bryant Avenue  
 E/W Street: Boulevard Street  
 City/State : Milton, MA  
 Weather : Clear

### Groups Printed- Bikes

Start Time	Bryant Ave From North			Boulevard St From East			Bryant Ave From South			Boulevard St From West			Int. Total
	Left	Thru	Right	Left	Thru	Right	Left	Thru	Right	Left	Thru	Right	
07:00	0	0	0	0	0	0	0	0	0	0	0	0	0
07:15	0	0	0	0	0	0	0	0	0	0	0	0	0
07:30	0	0	0	0	1	0	0	0	0	0	0	0	1
07:45	0	0	0	0	2	0	0	0	0	0	0	0	2
<b>Total</b>	0	0	0	0	3	0	0	0	0	0	0	0	3
08:00	0	0	0	0	0	0	0	0	0	0	1	0	1
08:15	0	0	0	0	1	0	0	0	0	0	2	0	3
08:30	0	0	0	0	0	0	0	0	0	0	0	0	0
08:45	0	2	0	0	0	0	0	0	0	0	1	0	3
<b>Total</b>	0	2	0	0	1	0	0	0	0	0	4	0	7
<b>Grand Total</b>	0	2	0	0	4	0	0	0	0	0	4	0	10
Apprch %	0	100	0	0	100	0	0	0	0	0	100	0	
Total %	0	20	0	0	40	0	0	0	0	0	40	0	

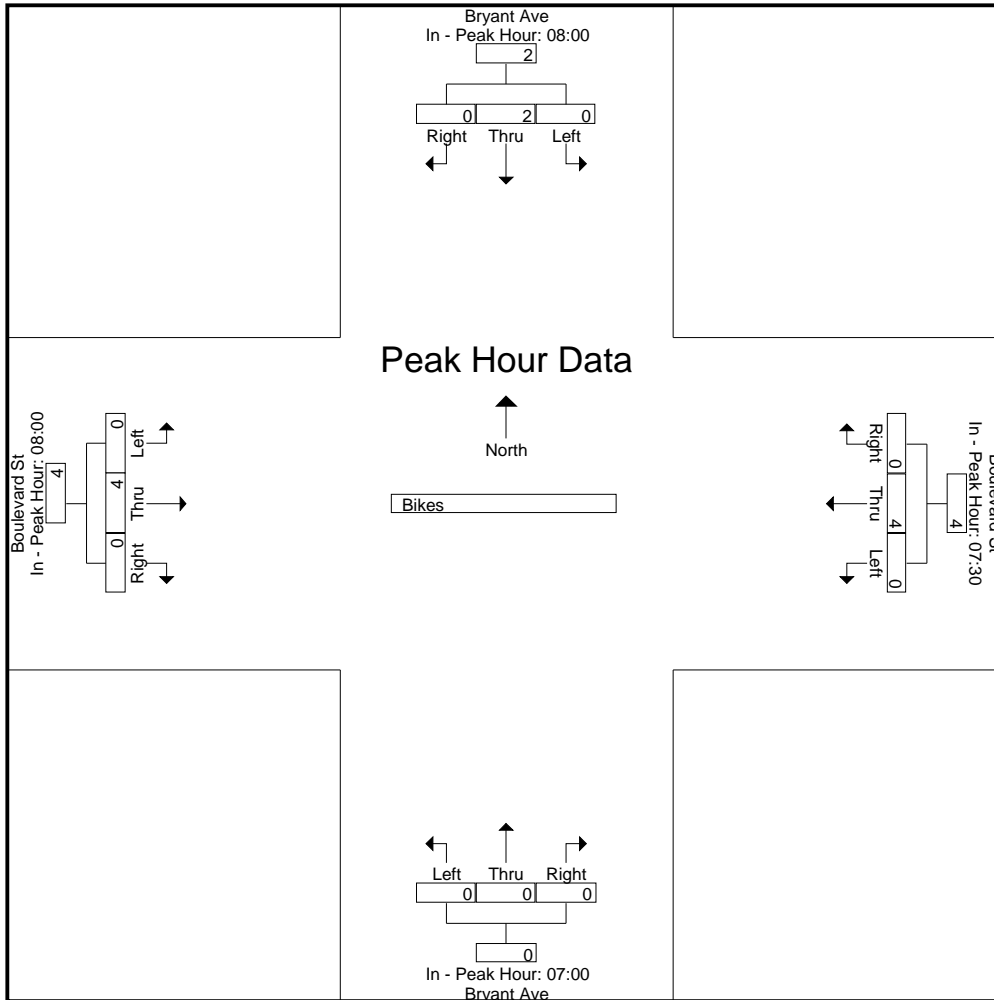
Start Time	Bryant Ave From North				Boulevard St From East				Bryant Ave From South				Boulevard St From West				Int. Total	
	Left	Thru	Right	App. Total	Left	Thru	Right	App. Total	Left	Thru	Right	App. Total	Left	Thru	Right	App. Total		
Peak Hour Analysis From 07:00 to 08:45 - Peak 1 of 1																		
Peak Hour for Entire Intersection Begins at 07:30																		
07:30	0	0	0	0	0	1	0	1	0	0	0	0	0	0	0	0	0	1
07:45	0	0	0	0	0	2	0	2	0	0	0	0	0	0	0	0	0	2
08:00	0	0	0	0	0	0	0	0	0	0	0	0	0	1	0	0	1	1
08:15	0	0	0	0	0	1	0	1	0	0	0	0	0	2	0	0	2	3
<b>Total Volume</b>	0	0	0	0	0	4	0	4	0	0	0	0	0	3	0	0	3	7
<b>% App. Total</b>	0	0	0	0	0	100	0	0	0	0	0	0	0	100	0	0	0	
<b>PHF</b>	.000	.000	.000	.000	.000	.500	.000	.500	.000	.000	.000	.000	.000	.375	.000	.000	.375	.583





Peak Hour Analysis From 07:00 to 08:45 - Peak 1 of 1  
Peak Hour for Each Approach Begins at:

	08:00				07:30				07:00				08:00			
+0 mins.	0	0	0	0	0	1	0	1	0	0	0	0	0	1	0	1
+15 mins.	0	0	0	0	0	2	0	2	0	0	0	0	0	2	0	2
+30 mins.	0	0	0	0	0	0	0	0	0	0	0	0	0	0	0	0
+45 mins.	0	2	0	2	0	1	0	1	0	0	0	0	0	1	0	1
Total Volume	0	2	0	2	0	4	0	4	0	0	0	0	0	4	0	4
% App. Total	0	100	0		0	100	0		0	0	0		0	100	0	
PHF	.000	.250	.000	.250	.000	.500	.000	.500	.000	.000	.000	.000	.000	.500	.000	.500



**Accurate Counts**  
**978-664-2565**

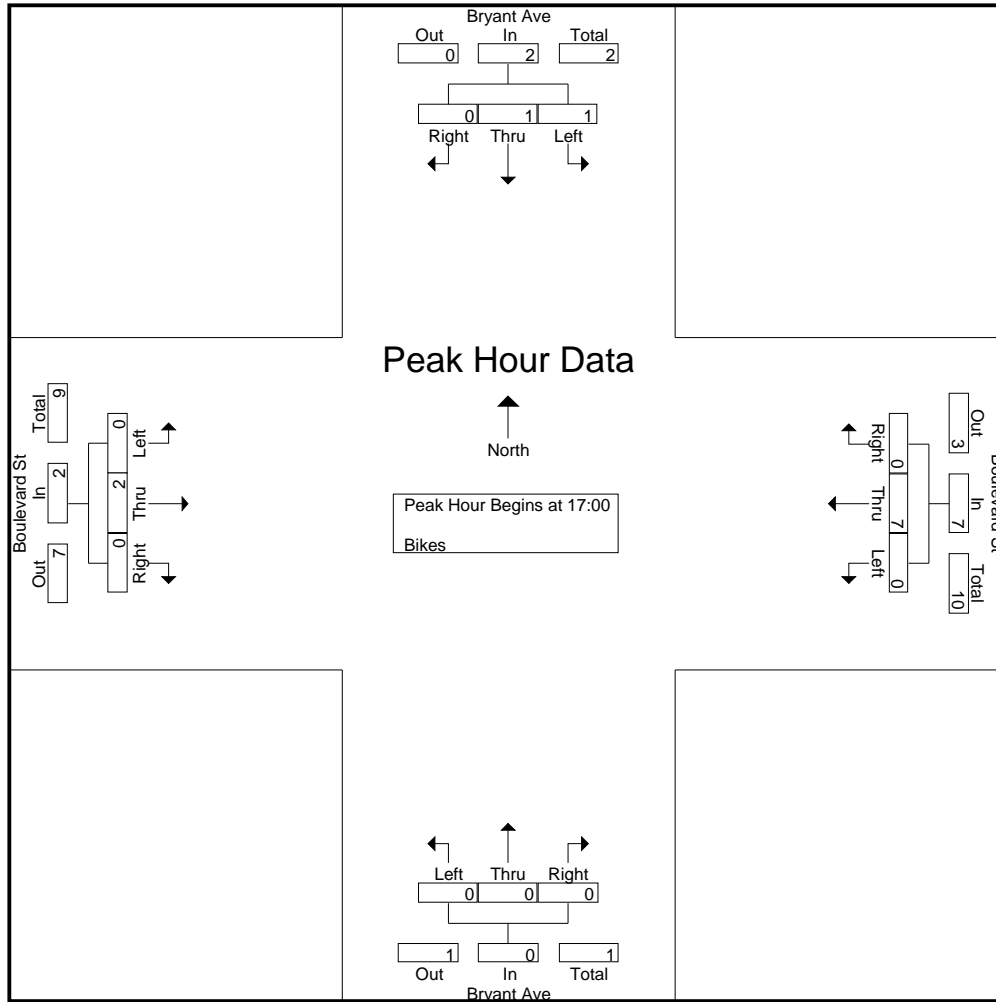
File Name : 53000009  
Site Code : 53000009  
Start Date : 6/15/2010  
Page No : 1

N/S Street : Bryant Avenue  
E/W Street: Boulevard Street  
City/State : Milton, MA  
Weather : Clear

Groups Printed- Bikes

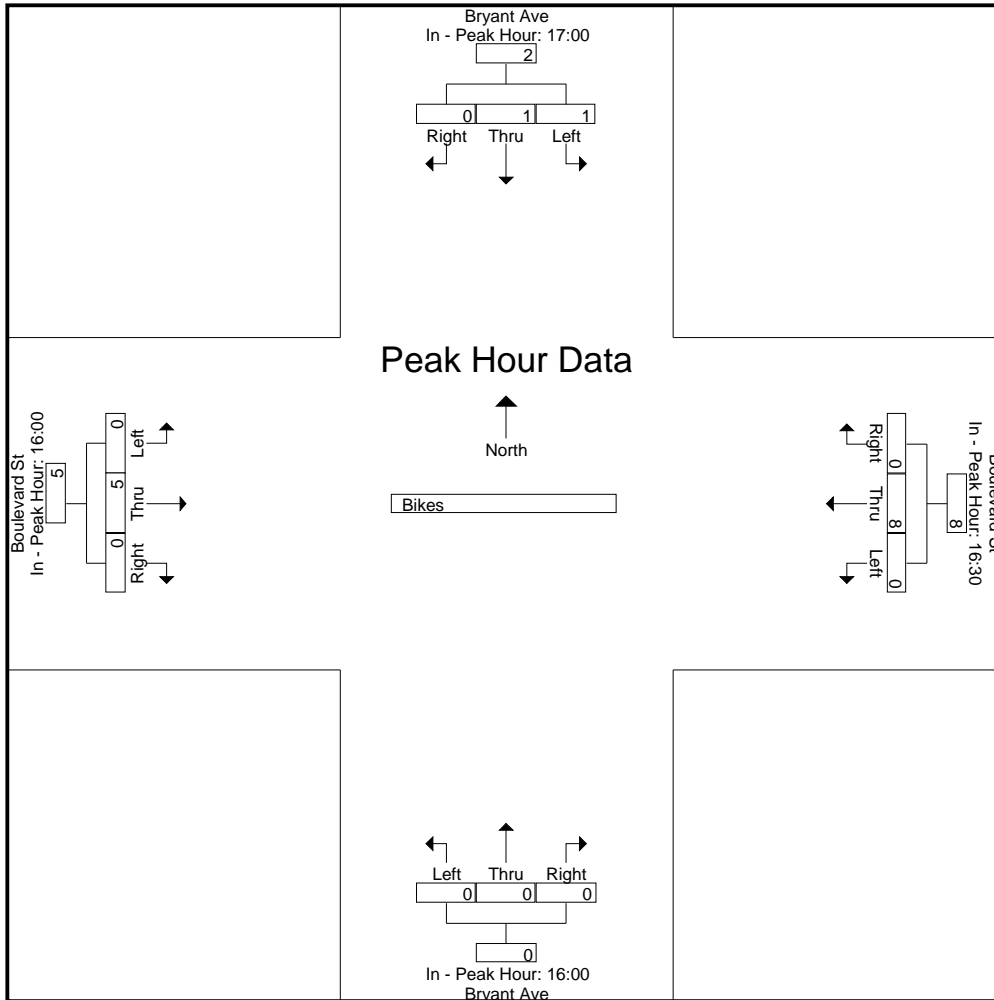
Start Time	Bryant Ave From North			Boulevard St From East			Bryant Ave From South			Boulevard St From West			Int. Total
	Left	Thru	Right	Left	Thru	Right	Left	Thru	Right	Left	Thru	Right	
16:00	0	0	0	0	0	0	0	0	0	0	5	0	5
16:15	0	0	0	0	0	0	0	0	0	0	0	0	0
16:30	0	0	0	0	0	0	0	0	0	0	0	0	0
16:45	0	0	0	0	1	0	0	0	0	0	0	0	1
Total	0	0	0	0	1	0	0	0	0	0	5	0	6
17:00	0	0	0	0	3	0	0	0	0	0	0	0	3
17:15	1	0	0	0	4	0	0	0	0	0	0	0	5
17:30	0	0	0	0	0	0	0	0	0	0	0	0	0
17:45	0	1	0	0	0	0	0	0	0	0	2	0	3
Total	1	1	0	0	7	0	0	0	0	0	2	0	11
Grand Total	1	1	0	0	8	0	0	0	0	0	7	0	17
Apprch %	50	50	0	0	100	0	0	0	0	0	100	0	
Total %	5.9	5.9	0	0	47.1	0	0	0	0	0	41.2	0	

Start Time	Bryant Ave From North				Boulevard St From East				Bryant Ave From South				Boulevard St From West				Int. Total
	Left	Thru	Right	App. Total	Left	Thru	Right	App. Total	Left	Thru	Right	App. Total	Left	Thru	Right	App. Total	
Peak Hour Analysis From 16:00 to 17:45 - Peak 1 of 1																	
Peak Hour for Entire Intersection Begins at 17:00																	
17:00	0	0	0	0	0	3	0	3	0	0	0	0	0	0	0	0	3
17:15	1	0	0	1	0	4	0	4	0	0	0	0	0	0	0	0	5
17:30	0	0	0	0	0	0	0	0	0	0	0	0	0	0	0	0	0
17:45	0	1	0	1	0	0	0	0	0	0	0	0	0	2	0	2	3
Total Volume	1	1	0	2	0	7	0	7	0	0	0	0	0	2	0	2	11
% App. Total	50	50	0		0	100	0		0	0	0		0	100	0		
PHF	.250	.250	.000	.500	.000	.438	.000	.438	.000	.000	.000	.000	.000	.250	.000	.250	.550



Peak Hour Analysis From 16:00 to 17:45 - Peak 1 of 1  
Peak Hour for Each Approach Begins at:

	17:00				16:30				16:00				16:00			
+0 mins.	0	0	0	0	0	0	0	0	0	0	0	0	0	5	0	5
+15 mins.	1	0	0	1	0	1	0	1	0	0	0	0	0	0	0	0
+30 mins.	0	0	0	0	0	3	0	3	0	0	0	0	0	0	0	0
+45 mins.	0	1	0	1	0	4	0	4	0	0	0	0	0	0	0	0
Total Volume	1	1	0	2	0	8	0	8	0	0	0	0	0	5	0	5
% App. Total	50	50	0		0	100	0		0	0	0		0	100	0	
PHF	.250	.250	.000	.500	.000	.500	.000	.500	.000	.000	.000	.000	.000	.250	.000	.250



**Accurate Counts**  
**978-664-2565**

N/S Street : Granite Avenue  
E/W Street: Boulevard Street  
City/State : Milton, MA  
Weather : Clear

File Name : 53000010  
Site Code : 53000010  
Start Date : 6/15/2010  
Page No : 1

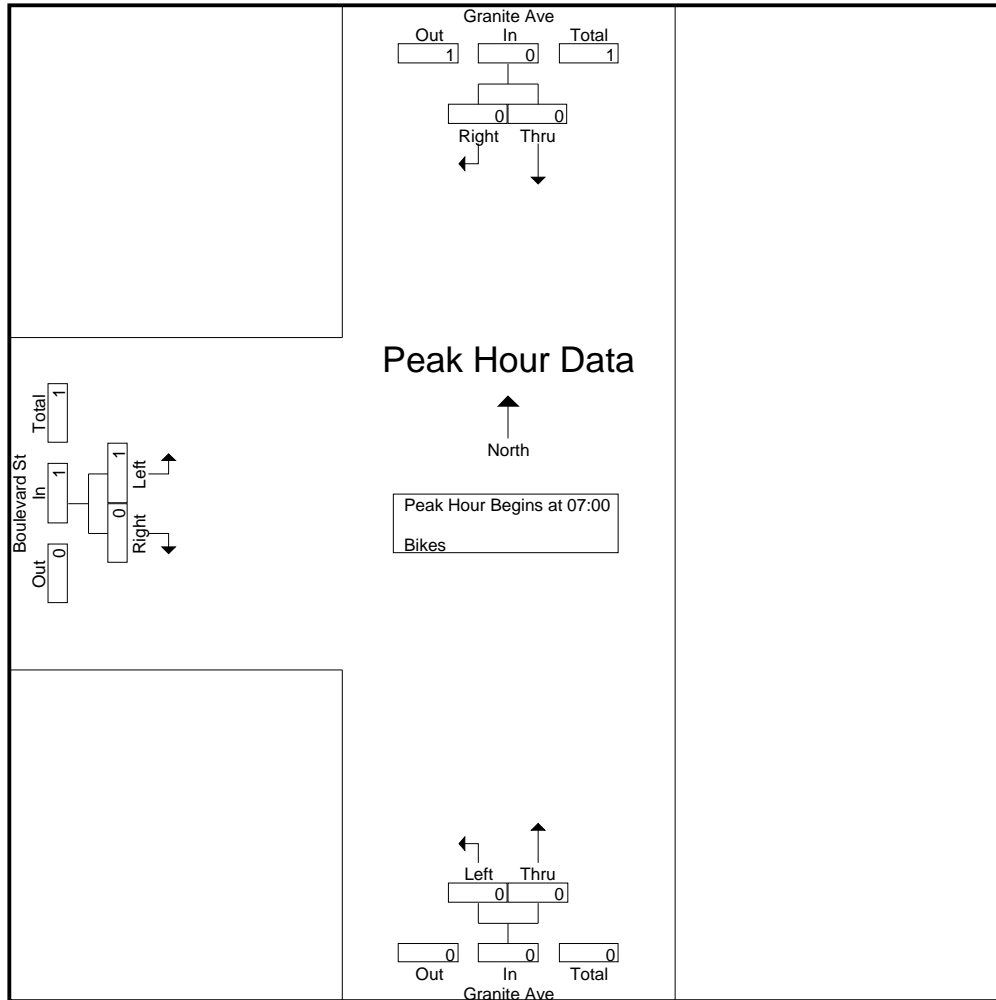
Groups Printed- Bikes

Start Time	Granite Ave From North		Granite Ave From South		Boulevard St From West		Int. Total
	Thru	Right	Left	Thru	Left	Right	
07:00	0	0	0	0	1	0	1
07:15	0	0	0	0	0	0	0
07:30	0	0	0	0	0	0	0
07:45	0	0	0	0	0	0	0
<b>Total</b>	<b>0</b>	<b>0</b>	<b>0</b>	<b>0</b>	<b>1</b>	<b>0</b>	<b>1</b>
08:00	0	0	0	0	0	0	0
08:15	0	0	0	0	0	0	0
08:30	0	0	0	0	0	0	0
08:45	0	0	0	0	0	0	0
<b>Total</b>	<b>0</b>	<b>0</b>	<b>0</b>	<b>0</b>	<b>0</b>	<b>0</b>	<b>0</b>
<b>Grand Total</b>	<b>0</b>	<b>0</b>	<b>0</b>	<b>0</b>	<b>1</b>	<b>0</b>	<b>1</b>
Apprch %	0	0	0	0	100	0	
Total %	0	0	0	0	100	0	

Start Time	Granite Ave From North			Granite Ave From South			Boulevard St From West			Int. Total
	Thru	Right	App. Total	Left	Thru	App. Total	Left	Right	App. Total	
07:00	0	0	0	0	0	0	1	0	1	1
07:15	0	0	0	0	0	0	0	0	0	0
07:30	0	0	0	0	0	0	0	0	0	0
07:45	0	0	0	0	0	0	0	0	0	0
<b>Total Volume</b>	<b>0</b>	<b>0</b>	<b>0</b>	<b>0</b>	<b>0</b>	<b>0</b>	<b>1</b>	<b>0</b>	<b>1</b>	<b>1</b>
<b>% App. Total</b>	<b>0</b>	<b>0</b>	<b>0</b>	<b>0</b>	<b>0</b>	<b>0</b>	<b>100</b>	<b>0</b>	<b>0</b>	<b>0</b>
PHF	.000	.000	.000	.000	.000	.000	.250	.000	.250	.250

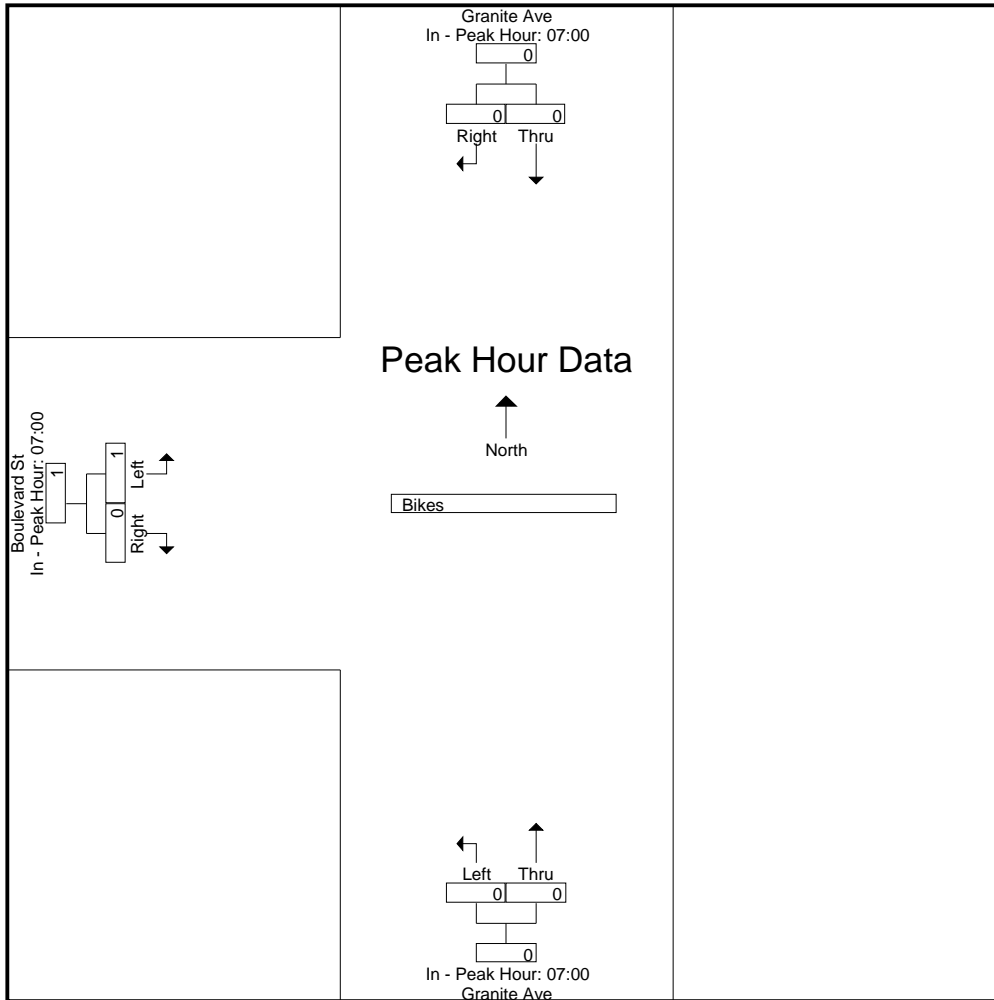
Peak Hour Analysis From 07:00 to 08:45 - Peak 1 of 1

Peak Hour for Entire Intersection Begins at 07:00



Peak Hour Analysis From 07:00 to 08:45 - Peak 1 of 1  
 Peak Hour for Each Approach Begins at:

	07:00			07:00			07:00		
+0 mins.	0	0	0	0	0	0	1	0	1
+15 mins.	0	0	0	0	0	0	0	0	0
+30 mins.	0	0	0	0	0	0	0	0	0
+45 mins.	0	0	0	0	0	0	0	0	0
Total Volume	0	0	0	0	0	0	1	0	1
% App. Total	0	0	0	0	0	0	100	0	100
PHF	.000	.000	.000	.000	.000	.000	.250	.000	.250





**Accurate Counts**  
**978-664-2565**

File Name : 53000010  
Site Code : 53000010  
Start Date : 6/15/2010  
Page No : 1

N/S Street : Granite Avenue  
E/W Street: Boulevard Street  
City/State : Milton, MA  
Weather : Clear

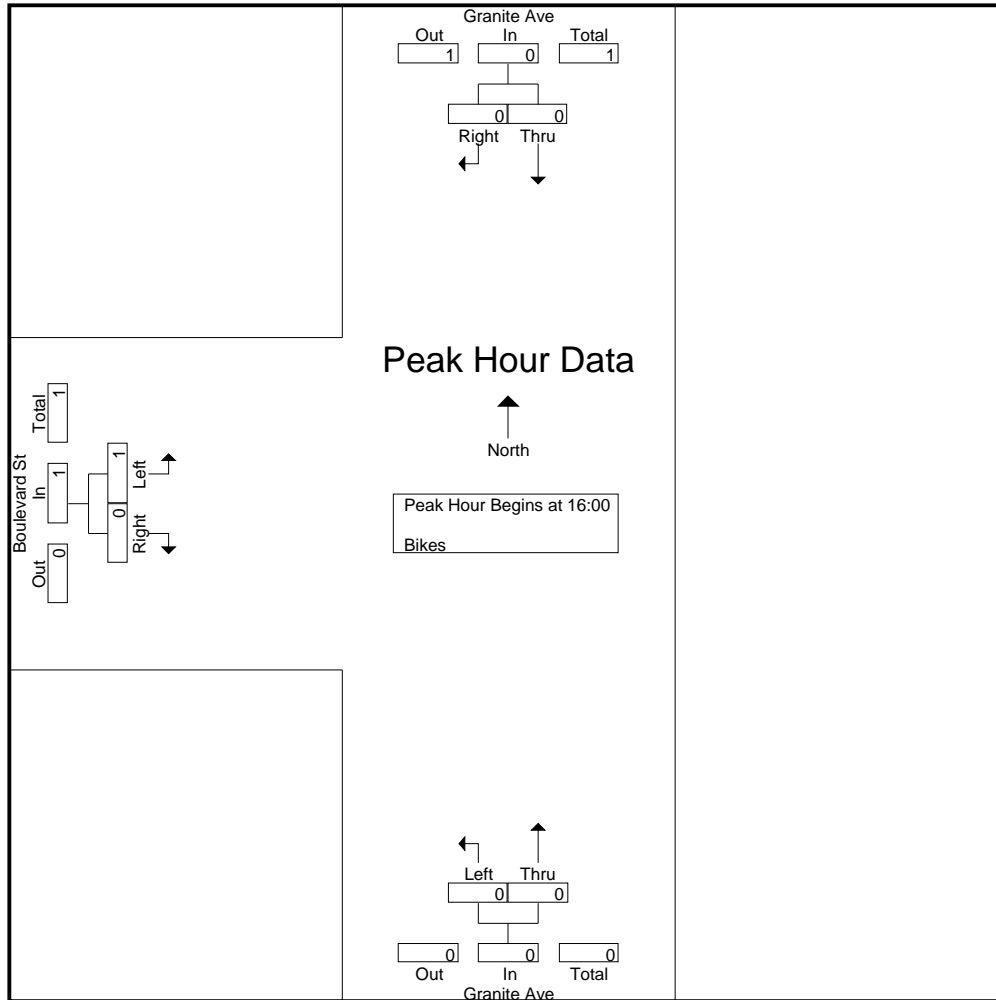
Groups Printed- Bikes

Start Time	Granite Ave From North		Granite Ave From South		Boulevard St From West		Int. Total
	Thru	Right	Left	Thru	Left	Right	
16:00	0	0	0	0	1	0	1
16:15	0	0	0	0	0	0	0
16:30	0	0	0	0	0	0	0
16:45	0	0	0	0	0	0	0
<b>Total</b>	<b>0</b>	<b>0</b>	<b>0</b>	<b>0</b>	<b>1</b>	<b>0</b>	<b>1</b>
17:00	0	0	0	0	0	0	0
17:15	0	0	0	0	0	0	0
17:30	0	1	0	0	0	0	1
17:45	0	0	0	0	0	0	0
<b>Total</b>	<b>0</b>	<b>1</b>	<b>0</b>	<b>0</b>	<b>0</b>	<b>0</b>	<b>1</b>
<b>Grand Total</b>	<b>0</b>	<b>1</b>	<b>0</b>	<b>0</b>	<b>1</b>	<b>0</b>	<b>2</b>
Apprch %	0	100	0	0	100	0	
Total %	0	50	0	0	50	0	

Start Time	Granite Ave From North			Granite Ave From South			Boulevard St From West			Int. Total
	Thru	Right	App. Total	Left	Thru	App. Total	Left	Right	App. Total	
16:00	0	0	0	0	0	0	1	0	1	1
16:15	0	0	0	0	0	0	0	0	0	0
16:30	0	0	0	0	0	0	0	0	0	0
16:45	0	0	0	0	0	0	0	0	0	0
<b>Total Volume</b>	<b>0</b>	<b>0</b>	<b>0</b>	<b>0</b>	<b>0</b>	<b>0</b>	<b>1</b>	<b>0</b>	<b>1</b>	<b>1</b>
<b>% App. Total</b>	<b>0</b>	<b>0</b>	<b>0</b>	<b>0</b>	<b>0</b>	<b>0</b>	<b>100</b>	<b>0</b>	<b>0</b>	<b>0</b>
PHF	.000	.000	.000	.000	.000	.000	.250	.000	.250	.250

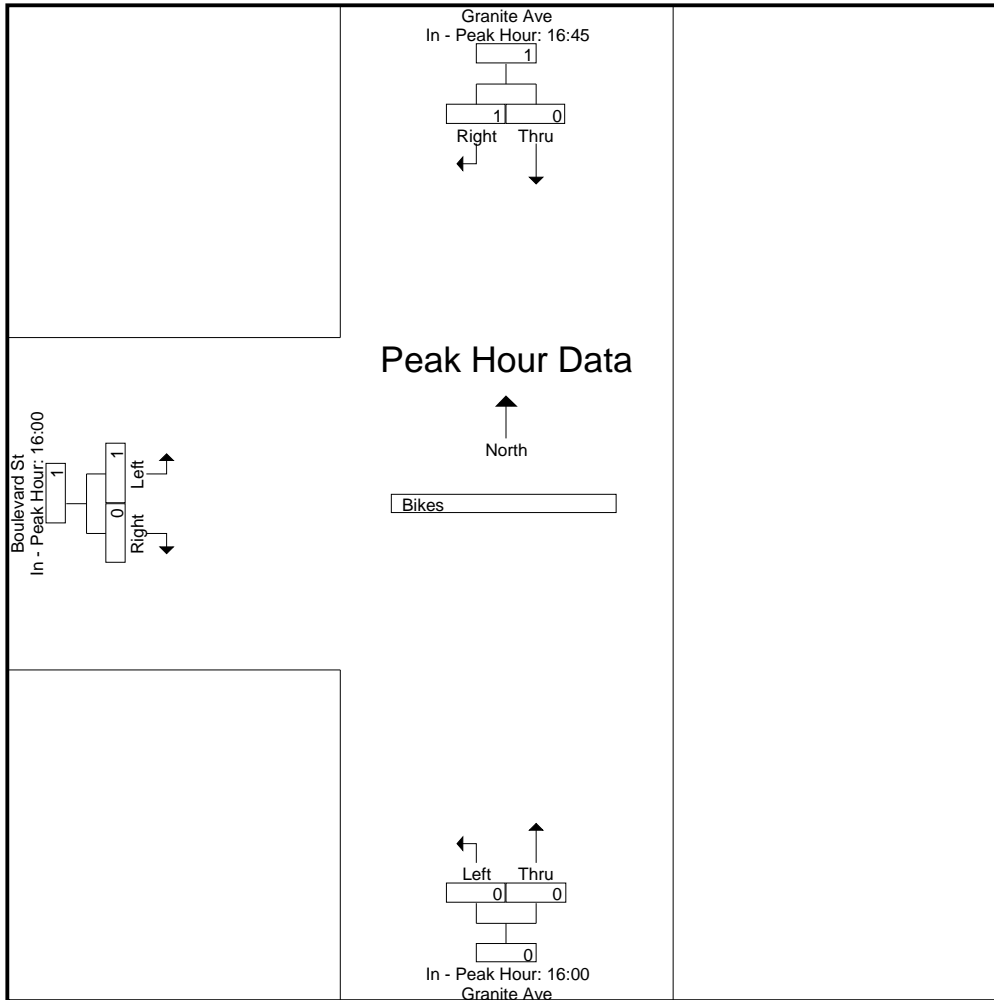
Peak Hour Analysis From 16:00 to 17:45 - Peak 1 of 1

Peak Hour for Entire Intersection Begins at 16:00



Peak Hour Analysis From 16:00 to 17:45 - Peak 1 of 1  
 Peak Hour for Each Approach Begins at:

	16:45			16:00			16:00		
+0 mins.	0	0	0	0	0	0	1	0	1
+15 mins.	0	0	0	0	0	0	0	0	0
+30 mins.	0	0	0	0	0	0	0	0	0
+45 mins.	0	1	1	0	0	0	0	0	0
Total Volume	0	1	1	0	0	0	1	0	1
% App. Total	0	100		0	0		100	0	
PHF	.000	.250	.250	.000	.000	.000	.250	.000	.250



**Accurate Counts**  
**978-664-2565**

N/S Street : Granite Avenue  
E/W Street: Bassett Street  
City/State : Milton, MA  
Weather : Clear

File Name : 53000011  
Site Code : 53000011  
Start Date : 6/15/2010  
Page No : 1

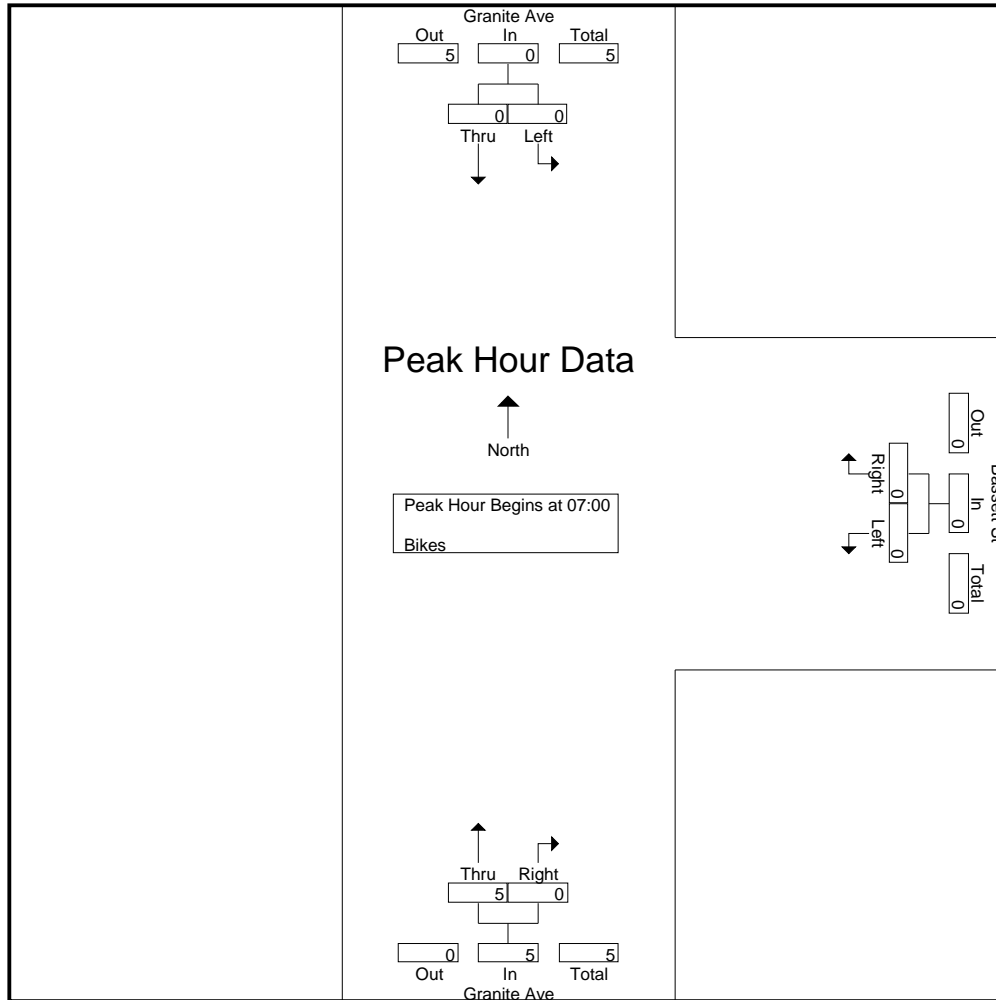
Groups Printed- Bikes

Start Time	Granite Ave From North		Bassett St From East		Granite Ave From South		Int. Total
	Left	Thru	Left	Right	Thru	Right	
07:00	0	0	0	0	3	0	3
07:15	0	0	0	0	1	0	1
07:30	0	0	0	0	0	0	0
07:45	0	0	0	0	1	0	1
<b>Total</b>	<b>0</b>	<b>0</b>	<b>0</b>	<b>0</b>	<b>5</b>	<b>0</b>	<b>5</b>
08:00	0	0	0	0	0	0	0
08:15	0	0	0	1	1	0	2
08:30	0	0	0	0	0	0	0
08:45	0	0	0	0	0	0	0
<b>Total</b>	<b>0</b>	<b>0</b>	<b>0</b>	<b>1</b>	<b>1</b>	<b>0</b>	<b>2</b>
<b>Grand Total</b>	<b>0</b>	<b>0</b>	<b>0</b>	<b>1</b>	<b>6</b>	<b>0</b>	<b>7</b>
Apprch %	0	0	0	100	100	0	
Total %	0	0	0	14.3	85.7	0	

Start Time	Granite Ave From North			Bassett St From East			Granite Ave From South			Int. Total
	Left	Thru	App. Total	Left	Right	App. Total	Thru	Right	App. Total	
07:00	0	0	0	0	0	0	3	0	3	3
07:15	0	0	0	0	0	0	1	0	1	1
07:30	0	0	0	0	0	0	0	0	0	0
07:45	0	0	0	0	0	0	1	0	1	1
<b>Total Volume</b>	<b>0</b>	<b>0</b>	<b>0</b>	<b>0</b>	<b>0</b>	<b>0</b>	<b>5</b>	<b>0</b>	<b>5</b>	<b>5</b>
<b>% App. Total</b>	<b>0</b>	<b>0</b>	<b>0</b>	<b>0</b>	<b>0</b>	<b>0</b>	<b>100</b>	<b>0</b>	<b>0</b>	<b>0</b>
<b>PHF</b>	<b>.000</b>	<b>.000</b>	<b>.000</b>	<b>.000</b>	<b>.000</b>	<b>.000</b>	<b>.417</b>	<b>.000</b>	<b>.417</b>	<b>.417</b>

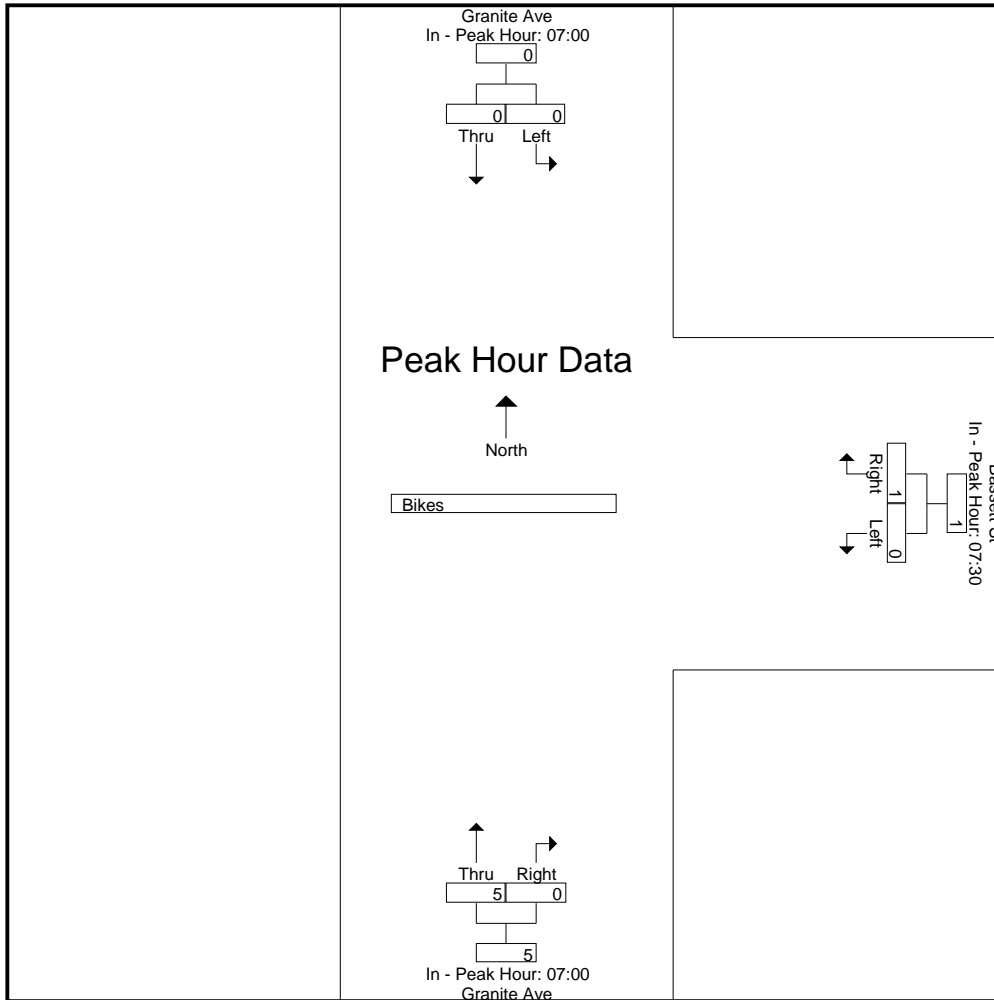
Peak Hour Analysis From 07:00 to 08:45 - Peak 1 of 1

Peak Hour for Entire Intersection Begins at 07:00



Peak Hour Analysis From 07:00 to 08:45 - Peak 1 of 1  
 Peak Hour for Each Approach Begins at:

	07:00			07:30			07:00		
+0 mins.	0	0	0	0	0	0	3	0	3
+15 mins.	0	0	0	0	0	0	1	0	1
+30 mins.	0	0	0	0	0	0	0	0	0
+45 mins.	0	0	0	0	1	1	1	0	1
Total Volume	0	0	0	0	1	1	5	0	5
% App. Total	0	0		0	100		100	0	
PHF	.000	.000	.000	.000	.250	.250	.417	.000	.417



**Accurate Counts**  
**978-664-2565**

File Name : 53000011  
Site Code : 53000011  
Start Date : 6/15/2010  
Page No : 1

N/S Street : Granite Avenue  
E/W Street: Bassett Street  
City/State : Milton, MA  
Weather : Clear

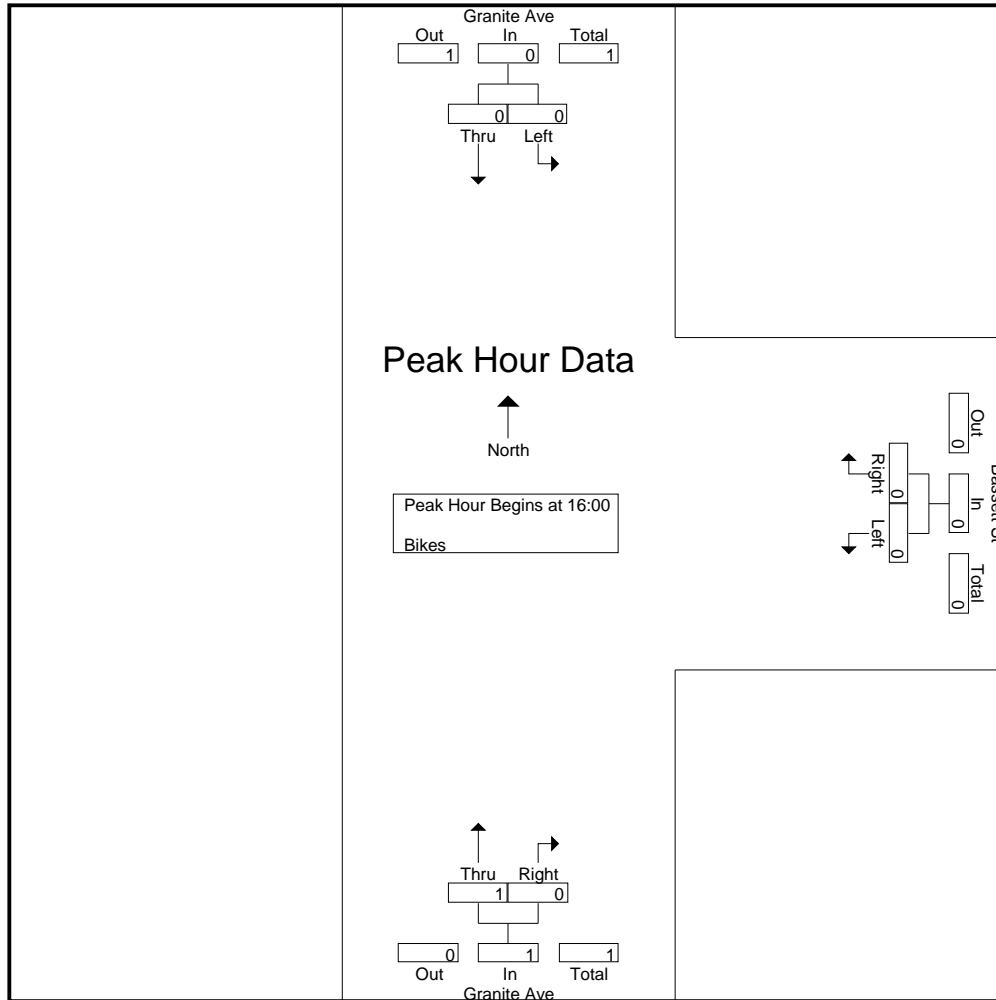
Groups Printed- Bikes

Start Time	Granite Ave From North		Bassett St From East		Granite Ave From South		Int. Total
	Left	Thru	Left	Right	Thru	Right	
16:00	0	0	0	0	1	0	1
16:15	0	0	0	0	0	0	0
16:30	0	0	0	0	0	0	0
16:45	0	0	0	0	0	0	0
<b>Total</b>	<b>0</b>	<b>0</b>	<b>0</b>	<b>0</b>	<b>1</b>	<b>0</b>	<b>1</b>
17:00	0	0	0	0	0	0	0
17:15	0	0	0	0	0	0	0
17:30	0	0	0	0	0	0	0
17:45	0	0	0	0	0	0	0
<b>Total</b>	<b>0</b>	<b>0</b>	<b>0</b>	<b>0</b>	<b>0</b>	<b>0</b>	<b>0</b>
<b>Grand Total</b>	<b>0</b>	<b>0</b>	<b>0</b>	<b>0</b>	<b>1</b>	<b>0</b>	<b>1</b>
Apprch %	0	0	0	0	100	0	
Total %	0	0	0	0	100	0	

Start Time	Granite Ave From North			Bassett St From East			Granite Ave From South			Int. Total
	Left	Thru	App. Total	Left	Right	App. Total	Thru	Right	App. Total	
16:00	0	0	0	0	0	0	1	0	1	1
16:15	0	0	0	0	0	0	0	0	0	0
16:30	0	0	0	0	0	0	0	0	0	0
16:45	0	0	0	0	0	0	0	0	0	0
<b>Total Volume</b>	<b>0</b>	<b>0</b>	<b>0</b>	<b>0</b>	<b>0</b>	<b>0</b>	<b>1</b>	<b>0</b>	<b>1</b>	<b>1</b>
<b>% App. Total</b>	<b>0</b>	<b>0</b>	<b>0</b>	<b>0</b>	<b>0</b>	<b>0</b>	<b>100</b>	<b>0</b>	<b>0</b>	<b>0</b>
PHF	.000	.000	.000	.000	.000	.000	.250	.000	.250	.250

Peak Hour Analysis From 16:00 to 17:45 - Peak 1 of 1

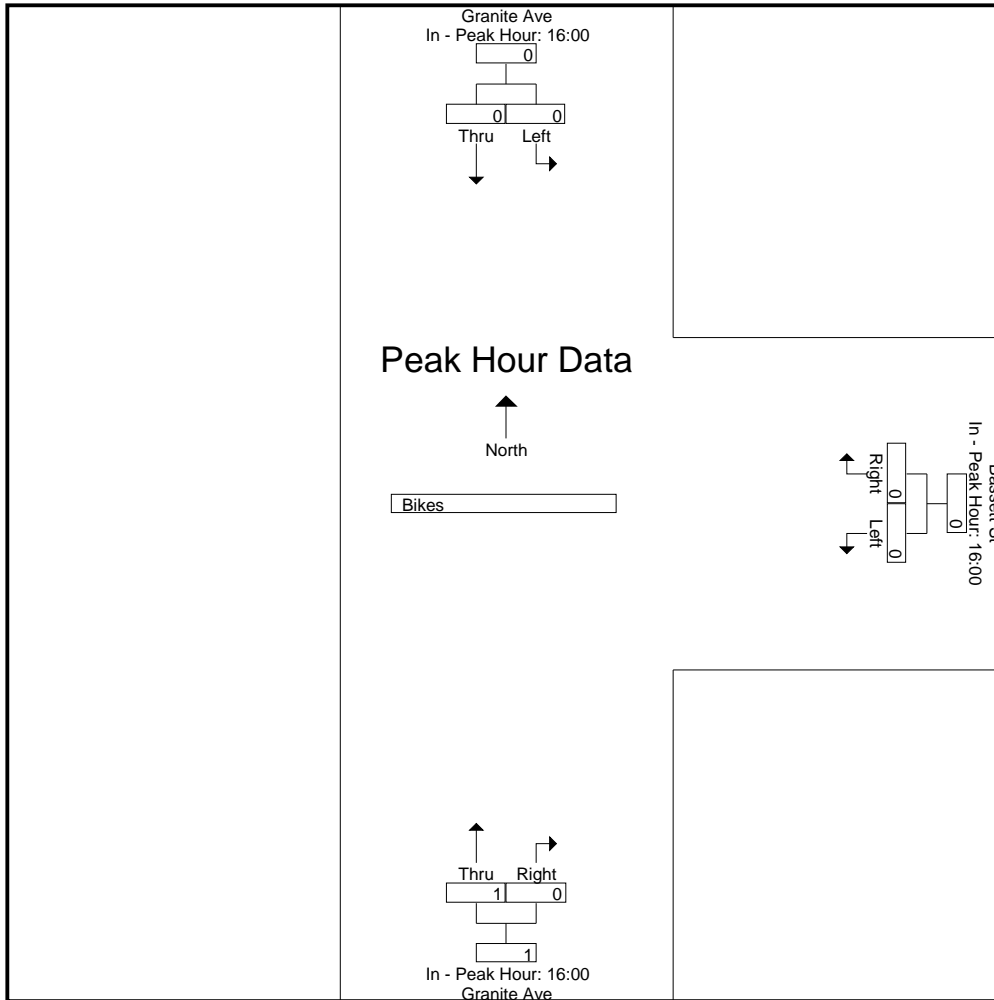
Peak Hour for Entire Intersection Begins at 16:00



Peak Hour Analysis From 16:00 to 17:45 - Peak 1 of 1  
 Peak Hour for Each Approach Begins at:

	16:00			16:00			16:00		
+0 mins.	0	0	0	0	0	0	1	0	1
+15 mins.	0	0	0	0	0	0	0	0	0
+30 mins.	0	0	0	0	0	0	0	0	0
+45 mins.	0	0	0	0	0	0	0	0	0
Total Volume	0	0	0	0	0	0	1	0	1
% App. Total	0	0	0	0	0	0	100	0	100
PHF	.000	.000	.000	.000	.000	.000	.250	.000	.250





# Accurate Counts

## 978-664-2565

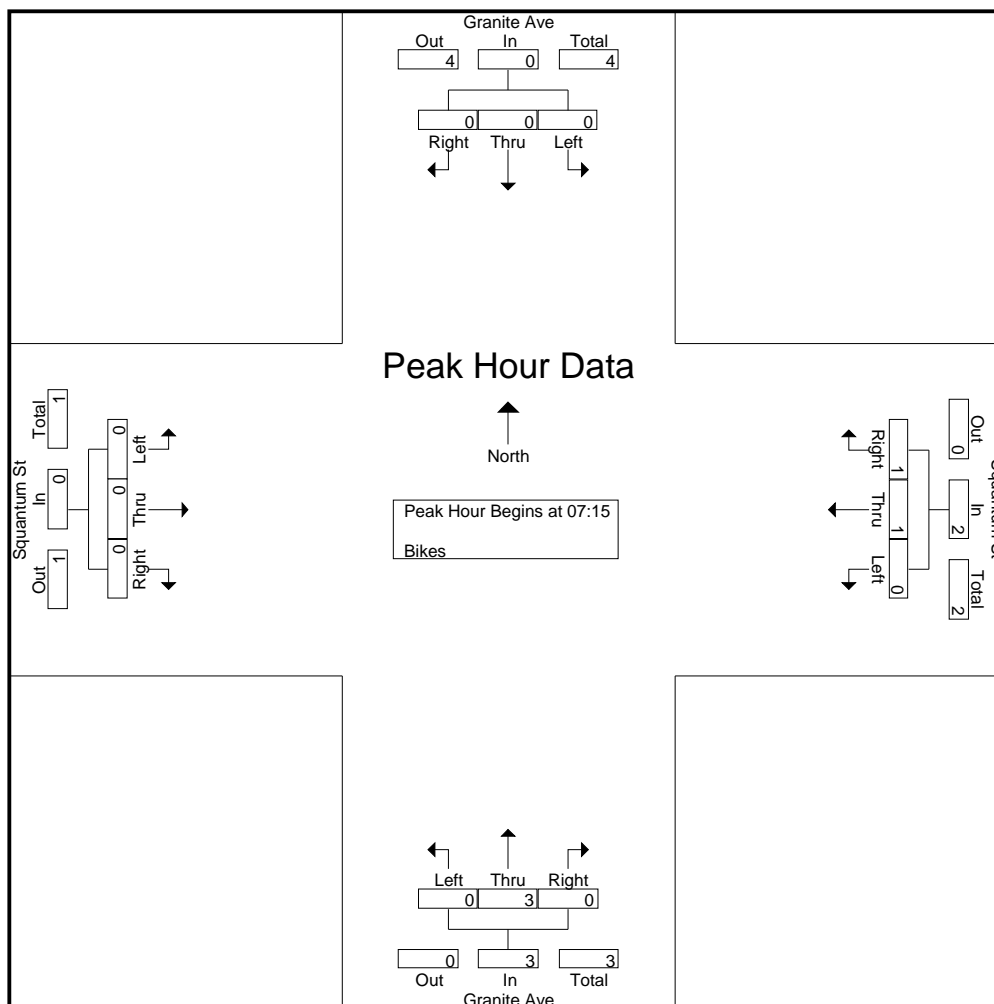
File Name : 53000012  
 Site Code : 53000012  
 Start Date : 6/15/2010  
 Page No : 1

N/S Street : Granite Avenue  
 E/W Street: Squantum Street  
 City/State : Milton, MA  
 Weather : Clear

### Groups Printed- Bikes

Start Time	Granite Ave From North			Squantum St From East			Granite Ave From South			Squantum St From West			Int. Total
	Left	Thru	Right	Left	Thru	Right	Left	Thru	Right	Left	Thru	Right	
07:00	0	0	0	0	0	0	0	0	0	0	1	0	1
07:15	0	0	0	0	0	0	0	1	0	0	0	0	1
07:30	0	0	0	0	1	1	0	0	0	0	0	0	2
07:45	0	0	0	0	0	0	0	0	0	0	0	0	0
<b>Total</b>	0	0	0	0	1	1	0	1	0	0	1	0	4
08:00	0	0	0	0	0	0	0	2	0	0	0	0	2
08:15	0	0	0	0	0	0	0	0	0	0	0	0	0
08:30	0	0	0	0	0	0	0	0	0	0	0	0	0
08:45	0	0	0	0	0	0	0	0	0	0	0	0	0
<b>Total</b>	0	0	0	0	0	0	0	2	0	0	0	0	2
<b>Grand Total</b>	0	0	0	0	1	1	0	3	0	0	1	0	6
Apprch %	0	0	0	0	50	50	0	100	0	0	100	0	
Total %	0	0	0	0	16.7	16.7	0	50	0	0	16.7	0	

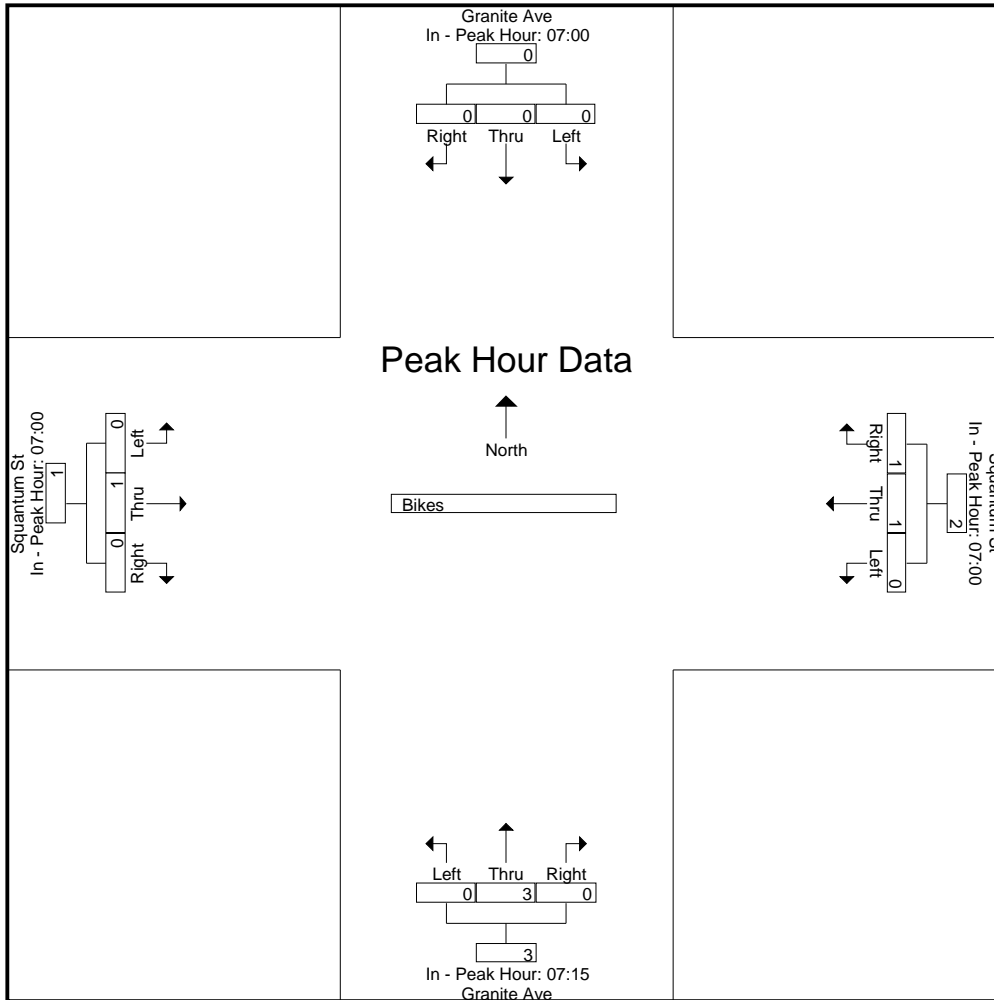
Start Time	Granite Ave From North				Squantum St From East				Granite Ave From South				Squantum St From West				Int. Total
	Left	Thru	Right	App. Total	Left	Thru	Right	App. Total	Left	Thru	Right	App. Total	Left	Thru	Right	App. Total	
Peak Hour Analysis From 07:00 to 08:45 - Peak 1 of 1																	
Peak Hour for Entire Intersection Begins at 07:15																	
07:15	0	0	0	0	0	0	0	0	0	1	0	1	0	0	0	0	1
07:30	0	0	0	0	0	1	1	2	0	0	0	0	0	0	0	0	2
07:45	0	0	0	0	0	0	0	0	0	0	0	0	0	0	0	0	0
08:00	0	0	0	0	0	0	0	0	0	2	0	2	0	0	0	0	2
<b>Total Volume</b>	0	0	0	0	0	1	1	2	0	3	0	3	0	0	0	0	5
<b>% App. Total</b>	0	0	0	0	0	50	50		0	100	0		0	0	0		
<b>PHF</b>	.000	.000	.000	.000	.000	.250	.250	.250	.000	.375	.000	.375	.000	.000	.000	.000	.625



Peak Hour Analysis From 07:00 to 08:45 - Peak 1 of 1

Peak Hour for Each Approach Begins at:

	07:00				07:00				07:15				07:00			
+0 mins.	0	0	0	0	0	0	0	0	0	1	0	1	0	1	0	1
+15 mins.	0	0	0	0	0	0	0	0	0	0	0	0	0	0	0	0
+30 mins.	0	0	0	0	0	1	1	2	0	0	0	0	0	0	0	0
+45 mins.	0	0	0	0	0	0	0	0	0	2	0	2	0	0	0	0
Total Volume	0	0	0	0	0	1	1	2	0	3	0	3	0	1	0	1
% App. Total	0	0	0	0	0	50	50		0	100	0		0	100	0	
PHF	.000	.000	.000	.000	.000	.250	.250	.250	.000	.375	.000	.375	.000	.250	.000	.250



# Accurate Counts

## 978-664-2565

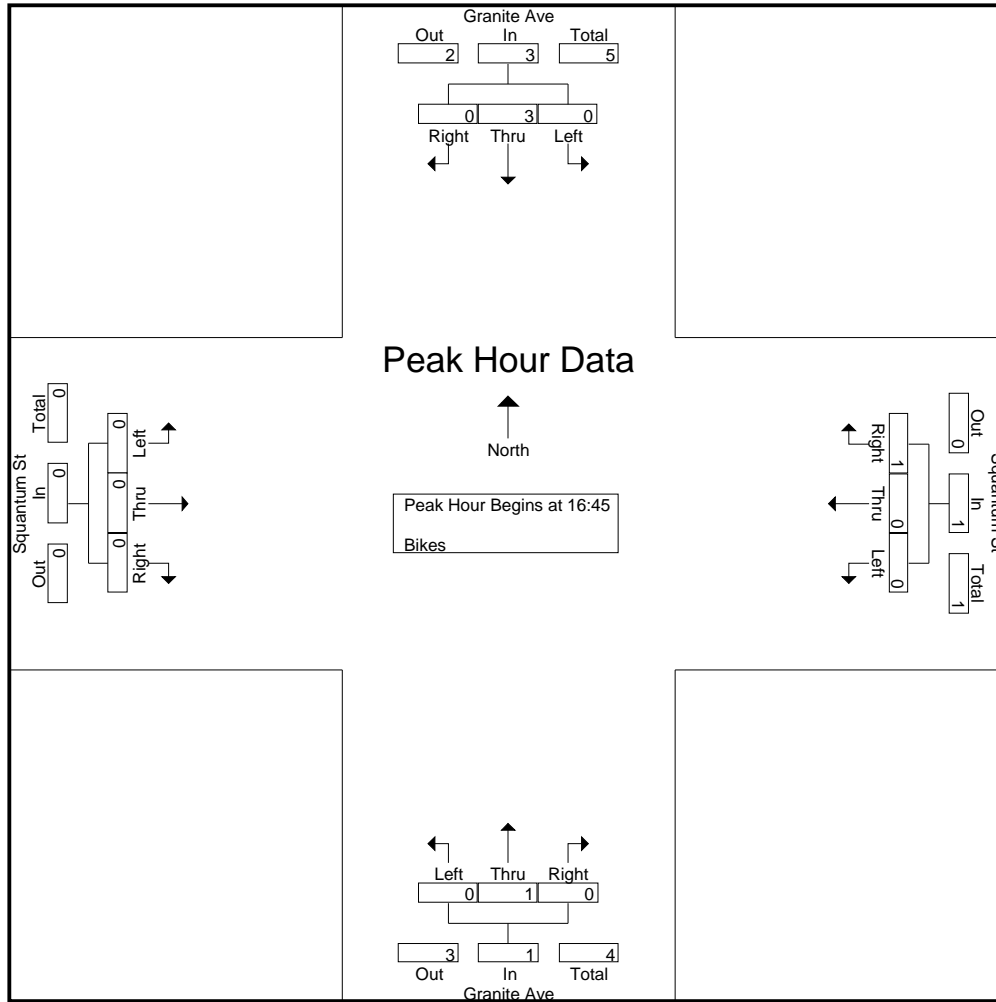
File Name : 53000012  
 Site Code : 53000012  
 Start Date : 6/15/2010  
 Page No : 1

N/S Street : Granite Avenue  
 E/W Street: Squantum Street  
 City/State : Milton, MA  
 Weather : Clear

### Groups Printed- Bikes

Start Time	Granite Ave From North			Squantum St From East			Granite Ave From South			Squantum St From West			Int. Total
	Left	Thru	Right	Left	Thru	Right	Left	Thru	Right	Left	Thru	Right	
16:00	0	0	0	0	0	0	0	0	0	0	0	0	0
16:15	0	0	0	0	0	0	0	0	0	0	0	0	0
16:30	0	0	0	0	0	0	0	0	0	0	0	0	0
16:45	0	1	0	0	0	1	0	1	0	0	0	0	3
<b>Total</b>	0	1	0	0	0	1	0	1	0	0	0	0	3
17:00	0	0	0	0	0	0	0	0	0	0	0	0	0
17:15	0	1	0	0	0	0	0	0	0	0	0	0	1
17:30	0	1	0	0	0	0	0	0	0	0	0	0	1
17:45	0	0	0	0	0	0	0	0	0	0	0	0	0
<b>Total</b>	0	2	0	0	0	0	0	0	0	0	0	0	2
<b>Grand Total</b>	0	3	0	0	0	1	0	1	0	0	0	0	5
Apprch %	0	100	0	0	0	100	0	100	0	0	0	0	
Total %	0	60	0	0	0	20	0	20	0	0	0	0	

Start Time	Granite Ave From North				Squantum St From East				Granite Ave From South				Squantum St From West				Int. Total
	Left	Thru	Right	App. Total	Left	Thru	Right	App. Total	Left	Thru	Right	App. Total	Left	Thru	Right	App. Total	
Peak Hour Analysis From 16:00 to 17:45 - Peak 1 of 1																	
Peak Hour for Entire Intersection Begins at 16:45																	
16:45	0	1	0	1	0	0	1	1	0	1	0	1	0	0	0	0	3
17:00	0	0	0	0	0	0	0	0	0	0	0	0	0	0	0	0	0
17:15	0	1	0	1	0	0	0	0	0	0	0	0	0	0	0	0	1
17:30	0	1	0	1	0	0	0	0	0	0	0	0	0	0	0	0	1
<b>Total Volume</b>	0	3	0	3	0	0	1	1	0	1	0	1	0	0	0	0	5
<b>% App. Total</b>	0	100	0		0	0	100		0	100	0		0	0	0		
<b>PHF</b>	.000	.750	.000	.750	.000	.000	.250	.250	.000	.250	.000	.250	.000	.000	.000	.000	.417



Peak Hour Analysis From 16:00 to 17:45 - Peak 1 of 1  
Peak Hour for Each Approach Begins at:

	16:45				16:00				16:00				16:00			
+0 mins.	0	1	0	1	0	0	0	0	0	0	0	0	0	0	0	0
+15 mins.	0	0	0	0	0	0	0	0	0	0	0	0	0	0	0	0
+30 mins.	0	1	0	1	0	0	0	0	0	0	0	0	0	0	0	0
+45 mins.	0	1	0	1	0	0	1	1	0	1	0	1	0	0	0	0
Total Volume	0	3	0	3	0	0	1	1	0	1	0	1	0	0	0	0
% App. Total	0	100	0		0	0	100		0	100	0		0	0	0	
PHF	.000	.750	.000	.750	.000	.000	.250	.250	.000	.250	.000	.250	.000	.000	.000	.000

